

Parts Manual

1300
13' End Wheel Drill
1998+

Great Plains

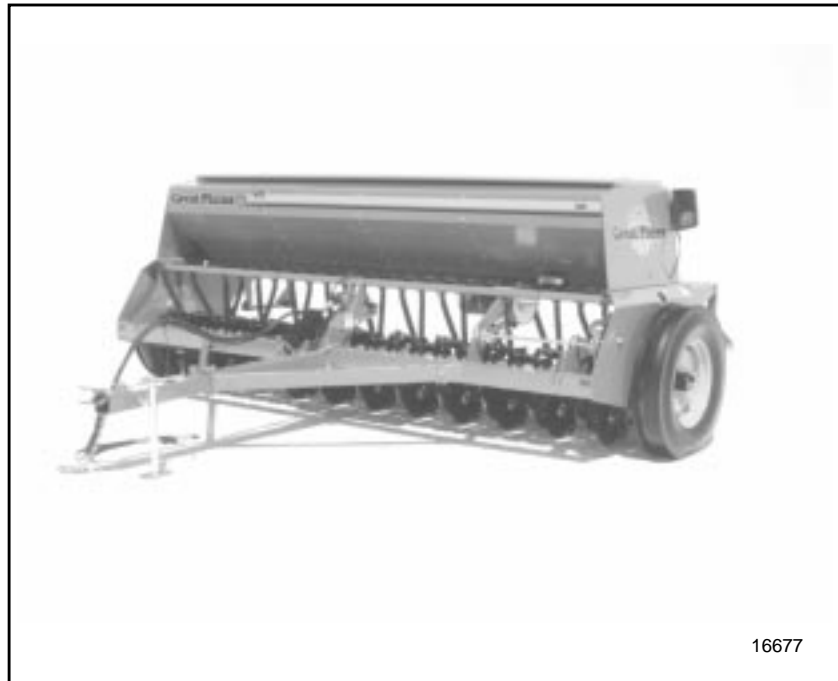
Manufacturing, Inc.

P.O. Box 5060 • Salina, Kansas 67402-5060



Read the Operator's manual entirely. When you see this symbol, the subsequent instructions and warnings are serious - follow without exception. Your life and the lives of others depend on it!

Great Plains



Cover illustration may show optional equipment not supplied with standard unit.

Table of Contents

Section 1 Introduction	1-1	Section 6 Drive	6-1
General Information	1-1	Jackshaft Drive	6-1
Revisions	1-1	Jaw Clutch (176-043S)	6-3
Touch-up Paint and Manual Information	1-1	Fertilizer Drive	6-5
Replacement Hardware	1-1	Fertilizer Drive Box	6-7
Part Number Service Coding	1-2	Small Seeds Drive	6-9
Part Number Index	1-3	SML SDS Idler Mount Assembly (133-071K)	6-11
Section 2 Frame	2-1	Agitator Drive (Option)	6-13
Tongue & Pull Bar	2-1	Section 7 Openers	7-1
Walkboard	2-3	Long Arm Opener	7-1
Section 3 Transport	3-1	Short Arm Opener	7-3
Lock-Out Hub	3-1	Fertilizer Hose	7-5
Transport Wheel	3-3	Small Seeds Hose Retainer	7-7
Opener Lift	3-5	Small Seeds Press Wheel Hose	7-9
Section 4 Box Assembly	4-1	Small Seeds Press Wheel Hose (9/1/2000 +)	7-11
Box To Frame	4-1	5" & 6" Seed-Lok, (Option)	7-13
Agitator (Option)	4-3	Section 8 Press Wheels	8-1
Box To Frame –Fertilizer Drill	4-5	1" x 12" Double "V" Press Wheel	8-1
Fertilizer Box Dividers	4-7	2" x 13" Single Press Wheel	8-3
Fertilizer Spill Flap	4-9	3" x 13" Single Press Wheel	8-5
Fertilizer Tray To Box	4-11	3" x 14" Peaked Single Press Wheel	8-7
Seed/ Fertilizer Flap	4-13	4" x 12" Double Ribbed Single Press Wheel	8-9
Lid To Box	4-15	Section 9 Hydraulics	9-1
Seed Level Indicator	4-17	Lift Hydraulics (Option)	9-1
Light Kit	4-19	Hydraulic Cylinder (810-162C)	9-3
Small Seeds Box Mounting	4-21	Section 10 Decals	10-1
Small Seeds Box Components	4-23	Decal Placement	10-1
Section 5 Metering System	5-1		
6" Feeder Cup Spacing	5-1		
7.5" Feeder Cup Spacing	5-3		
10" Feeder Cup Spacing	5-5		
Adjustment Handle	5-7		
Fertilizer Tray	5-9		

© Copyright 2000 All rights Reserved

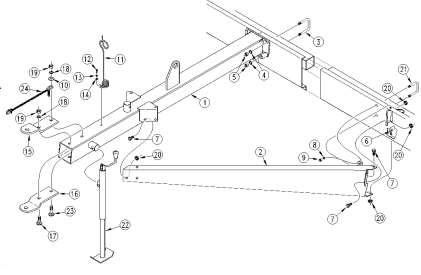
Great Plains Manufacturing, Inc. provides this publication "as is" without warranty of any kind, either expressed or implied. While every precaution has been taken in the preparation of this manual, Great Plains Manufacturing, Inc. assumes no responsibility for errors or omissions. Neither is any liability assumed for damages resulting from the use of the information contained herein. Great Plains Manufacturing, Inc. reserves the right to revise and improve its products as it sees fit. This publication describes the state of this product at the time of its publication, and may not reflect the product in the future. The illustrations in this manual are not intended for safe and proper assembly or disassembly of equipment. The illustrations are intended for ordering parts only.

Great Plains Manufacturing, Incorporated Trademarks

The following are trademarks of Great Plains Mfg., Inc.: Application Systems, Ausherman, Land Pride, Great Plains

All other brands and product names are trademarks or registered trademarks of their respective holders.

Printed in the United States of America.

Section Number & Description	Serial Number Break	Illustration Page	Parts Page
<p>Section 2 Frames Tongue & Pull Bar (S/N 00000-) Great Plains Mfg., Inc.</p> <p>Illustration Heading</p>  <p>Illustration</p> <p>Illustration Number</p> <p>10207</p> <p>2-1 NTA 3510 No-Till Air Drill Implement 175-083P 5/21/98</p> <p>Left Page Number</p> <p>Manual Name & Number</p> <p>New or Modification Date</p>			<p>Great Plains Mfg., Inc. Section 2 Frames Tongue & Pull Bar (S/N 00000-)</p> <p>Parts List</p> <ol style="list-style-type: none"> 1. 177-001H 13' END WHEEL TONGUE WELDMENT 2. 177-004H PULL BAR WELDMENT LH 2. 177-005H PULL BAR WELDMENT RH 3. 806-032C U-BOLT 5/8-11 X 3 17/32 UNEVEN 4. 804-022C WASHER LOCK SPRING 5/8 PLT 5. 803-021C NUT HEX 5/8-11 PLT 6. 802-183C RHSNB 1/2-13X1 GR5 7. 802-083C HFSS 1/2-13X1 1/4 GR8 8. 804-015C WASHER LOCK SPRING 1/2 PLT 9. 803-020C NUT HEX 1/2-13 PLT 10. 177-587D SAFETY CHAIN WASHER 11. 807-023C SPRING HOSE LOOP 12. 801-028C SCREW HEX 3/8-16X1 TYPE F 13. 804-013C WASHER LOCK SPRING 3/8 PLT 14. 804-012C WASHER FLAT 3/8 SAE PLT 15. 177-009D CLEVIS HITCH TOP HALF 16. 177-008D CLEVIS HITCH BOTTOM HALF 17. 802-177C RHSNB 3/4-10X2 1/2 GR5 18. 804-023C WASHER LOCK SPRING 3/4 PLT 19. 803-027C NUT HEX 3/4-10 PLT 20. 803-037C NUT HEX WHIZ 1/2-13 PLT 21. 806-028C U-BOLT 1/2-13 X 3 17/32 X4 3/4 22. 890-118C SCREW JACK 2000# 23. 802-299C RHSNB 3/4-10X3 GR5 24. 890-182C SAFETY CHAIN 10000 LB <p>7/1/98 NTA 3510 No-Till Air Drill Implement 175-083P 2-2</p> <p>Right Page Number</p>

General Information

Revisions

Please refer to the date at the bottom of each page for the most current version of the equipment. Serial number breaks are at the top of the page at the end of the illustration heading, refer to the illustration above.

Touch-up Paint and Manual Information

Repaint parts where paint is worn or scratched to prevent rust. Aerosol touch-up paint is available. To order use Great Plains part numbers below:

- GP Green821-001C
- GP Black821-002C
- GP Beige821-003C
- GP Buckskin821-004C
- LP Beige821-011C
- LP Black821-032C

Replacement manuals available. To order use Great Plains part 175-157P.

Replacement Hardware

All bolts and nuts are grade 5 unless otherwise noted. The use of improper grades of hardware can result in personal injury, damage to equipment, or loss of property. See "Hardware Legend" on page 1-2, for hardware abbreviations used within all parts lists.

Hardware Legend

AR	As Required
BLADE	Blade Bolt
C	Cap Screw
CP	Cotter Pin
CPHSSS	Cup Point Hex Socket Set Screw
CPSHSS	Cup Point Square Head Set Screw
CPSQHSS	Cup Point Square Head Set Screw
CRFCHMS	Cross Recess Flat Countersunk Head Mach. Screw
CRPHMS	Cross Recess Pan Head Machine Screw
CRPHTFS	Cross Recess Pan Head Thread Forming
CRRHMS	Cross Recess Round Head Machine Screw
CRTHMS	Cross Recess Truss Head Machine Screw
CSNB	Countersunk Square Neck Bolt
FHMS	Flat Head Machine Screw
FTC	Full Thread Cap Screw
H	Hex Nut
HCLN	Hex Center Lock Nut
HFLCS	Hex Flange Lock Cap Screw
HFS	Hex Flange Screw
HFSLN	Hex Flange Serrated Lock Nut
HFSS	Hex Flange Serrated Screw
HHCS	Hex Head Cap Screw or Metric Bolt
HSBHCS	Hex Socket Button Head Cap Screw
HSFCHCS	Hex Socket Flat Countersunk Head Cap Screw
HSHCS	Hex Socket Head Cap Screw
HSSS	Hex Socket Head Screw
HTLN	Hex Top Lock Nut
HWHCS	Hex Washer Head Cap Screw

HWHMS	Hex Washer Head Machine Screw
HXBHCS	Hex Socket Button Head Cap Screw
J	Hex Jam Nut
JIC	37 Degree Tapered Thread
L	Helical Spring Lock Washer
LUG	Lug Bolt
NFC	National Fine Cap Screw
NPSM	National Pipe Straight Mechanical
NPTF	National Pipe Taper Fuel
P	Wide Plain Washer
PHMS	Pan Head Machine Screw
PLOW	Plow Bolt
RHMS	Round Head Machine Screw
RHSNB	Round Head Square Neck Bolt
SCREW LEVELING	Leveling Screw
SCREW THUMB	Thumb Screw
SCREW WELD	Weld Screw
SFCHMS	Slotted Flat Countersunk Head Machine Screw
SFHMS	Slotted Fillister Head Machine Screw
SP	Special
SP SCREW	Special Screw
SQHSS	Square Head Set Screw
SRHMS	Slotted Round Head Machine Screw
SSS	Socket Set Screw
STCS	Self Tapping Cap Screw
STHMS	Slotted Truss Head Machine Screw
WHEEL	Wheel Studs and Hub Long Bolts
WING	Wing Bolt

Part Number Service Coding

Within the following parts lists some part numbers are coded for revisions and interchangeability.

Legend:

Newest serial numbers are listed first.

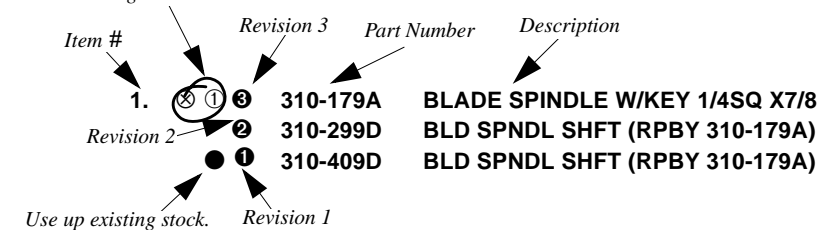
Bold face type indicates parts that are serviced. These parts are considered interchangeable, if it supersedes another part, unless otherwise noted.

Example:

- (S/N 20001+) Includes serial numbers 20001 and above (to the newest numbers)
- (S/N 10001↔20000) Includes serial numbers between and including 10001 and 20000
- (S/N 10000-) Includes serial numbers 10000 and below (to the oldest number)

- ① First revision, e.g.; ② is 2nd revision, ③ is 3rd revision, etc.
(Greater numbers are the newest.)
- The existing stock for this part should be used up before ordering the new part.
- ⊗ Not interchangeable
- ⊗①② Revision 2 is not interchangeable w/1

Not interchangeable with revision 1



Part Number Index

Part Number	Page	Part Number	Page	Part Number	Page	Part Number	Page
107-111D	7-2	122-202S	7-2	175-154H	3-6	195-101D	4-2
107-111D	7-4	122-202S	7-4	175-155H	2-2	195-101D	4-6
107-113D	7-2	122-231A	7-14	175-156H	6-2	195-102D	4-2
107-113D	7-4	122-242S	7-2	175-162H	3-2	195-102D	4-6
107-133S	7-2	122-242S	7-4	175-173S	3-2	195-124H	4-18
107-133S	7-4	123-050H	4-24	175-174A	3-6	195-134H	6-2
109-025H	5-8	123-113D	4-24	175-233D	5-2	195-135H	6-2
109-069D	5-8	123-116D	4-24	175-233D	5-4	195-136H	6-2
109-091D	5-2	123-118D	4-24	175-233D	5-6	195-137H	6-2
109-091D	5-4	123-202D	7-10	175-234D	5-4	195-138H	6-2
109-091D	5-6	123-203D	7-10	175-278D	5-2	195-138H	6-8
118-226S	5-2	123-203D	7-8	175-279D	5-6	195-153H	6-8
118-226S	5-4	123-298D	7-10	175-280D	5-6	195-154H	6-8
118-226S	5-6	123-356D	4-24	175-287D	2-2	195-155H	6-8
118-336D	5-2	123-409D	4-24	175-288D	2-2	195-156H	6-8
118-336D	5-4	123-410D	4-24	175-289D	4-2	195-157H	6-8
118-336D	5-6	123-476H	4-24	175-300D	6-2	195-158H	6-8
118-336D	5-6	123-491D	4-22	175-301D	6-2	195-159H	6-8
118-338D	5-6	123-492D	4-22	175-302D	3-6	195-181H	4-8
118-341D	5-2	123-575D	4-24	175-303D	6-2	195-182H	4-8
118-341D	5-4	123-576D	4-24	175-305D	6-2	195-183H	4-8
118-341D	5-6	123-577D	4-24	175-147H	4-2	195-194D	4-8
118-431D	5-2	123-832H	6-10	175-147H	4-6	195-197D	4-14
118-432D	5-2	123-834H	4-24	175-150H	2-4	195-197S	6-6
118-432D	5-4	133-022D	6-12	175-182H	5-10	195-205D	4-6
118-433D	5-2	133-023D	6-12	175-183H	5-10	195-206D	4-6
118-434D	5-2	133-024D	6-10	175-184H	5-10	195-207D	4-6
118-437D	5-2	133-061H	4-24	175-185H	6-8	195-208D	4-8
118-437D	5-4	133-062H	4-24	175-187K	4-12	195-192D	4-10
118-438D	5-4	133-063H	4-24	175-188K	4-12	195-197D	4-10
118-443H	5-8	133-064H	4-24	175-189K	4-12	195-197D	4-12
118-444H	5-8	133-065D	7-6	175-190S	4-8	197-089D	4-18
118-508D	5-2	133-065D	7-8	175-191S	4-12	197-091D	4-18
118-508D	5-4	133-066H	4-22	175-235H	6-2	197-096D	4-18
118-508D	5-6	133-067L	4-22	175-325D	4-10	198-137D	8-10
118-439H	6-14	133-068L	4-22	175-326D	4-10	198-137D	8-2
118-493D	4-4	133-069L	4-22	175-327D	4-10	198-137D	8-4
118-494D	4-4	133-070K	4-22	175-327D	4-12	198-137D	8-6
118-592H	6-14	133-071K	6-10	175-327D	4-14	198-137D	8-8
118-652D	10-2	133-071K	6-14	175-328D	6-8	199-022H	8-2
119-153D	4-16	133-128H	7-12	175-329D	6-8	199-030D	8-8
119-154D	4-16	136-025D	6-2	175-331D	4-10	199-031D	8-10
119-190D	4-20	136-026D	6-2	175-332D	4-14	1M7016	9-4
119-190D	4-22	136-027D	6-2	175-338D	5-10	200-001D	3-4
121-151D	7-2	136-028D	6-8	175-339D	4-4	200-027S	3-4
121-151D	7-4	136-030D	6-10	175-340D	4-4	200-041S	3-2
121-154D	7-2	136-031D	6-6	175-341D	4-4	206-014S	7-14
121-154D	7-4	136-033D	6-6	175-341D	5-10	206-021D	7-14
121-702H	7-2	136-034D	6-14	175-341D	6-14	2A0006	9-4
121-703H	7-4	136-036D	6-10	175-357D	6-2	2A0012	9-4
121-762S	7-2	141-084D	5-10	176-021K	3-2	2A0016	9-4
121-763S	7-4	142-198D	7-2	176-021K	3-4	2A0024	9-4
121-152D	7-2	142-198D	7-4	176-043S	6-2	2A0132	9-4
121-164D	7-2	150-138D	4-20	176-060D	6-4	2A0208	9-4
121-164D	7-4	152-044D	5-2	176-065D	6-4	2M5416	9-4
121-166D	7-2	152-338D	6-2	176-066D	6-4	313-076S	4-16
121-167D	7-2	168-127D	6-10	176-079D	6-4	313-176D	4-16
121-169D	7-2	172-199D	3-2	176-080D	6-4	313-186D	4-16
122-041D	8-10	172-201D	3-2	176-084D	6-4	3M5412	9-4
122-041D	8-8	172-218D	3-2	177-587D	2-2	4M5102	9-4
122-094D	8-10	172-242D	3-2	181-064D	3-4	5M5116	9-4
122-103S	8-10	172-306D	3-2	188-001V	7-2	6M5164	9-4
122-110D	8-8	175-102H	5-10	188-001V	7-4	7M5316	9-4
122-117S	8-8	175-145H	4-2	188-003V	3-2	800-003C	5-8
122-120D	7-14	175-145H	4-6	188-008V	7-14	800-004C	5-2
122-151D	7-14	175-146H	4-16	191-001D	5-10	800-004C	5-4
122-173H	7-14	175-147H	3-6	191-002D	5-10	800-004C	5-6
122-197V	8-10	175-148H	3-6	191-018D	5-10	800-008C	7-6
122-198V	8-8	175-149H	3-6	195-100D	4-2	800-009C	5-2
122-201S	7-14	175-153H	2-2	195-100D	4-6	800-009C	5-4

Part Number Index

Part Number	Page	Part Number	Page	Part Number	Page	Part Number	Page
800-009C	5-6	802-015C	7-4	802-078C	4-24	803-199C	4-6
800-009C	7-2	802-017C	4-16	802-092C	4-24	803-199C	4-6
800-009C	7-4	802-017C	4-8	802-092C	4-4	803-199C	4-8
800-012C	5-10	802-017C	7-14	802-148C	4-24	803-209C	4-16
800-032C	5-10	802-034C	3-6	802-196C	4-12	803-209C	4-8
800-058C	6-2	802-034C	4-2	802-214C	2-4	803-215C	6-2
800-060C	4-20	802-034C	4-6	802-214C	6-10	803-001C	4-24
800-093C	7-14	802-039C	6-2	802-282C	6-10	803-006C	2-4
800-101C	4-18	802-045C	7-2	802-375C	4-10	803-006C	4-24
800-107C	5-2	802-045C	7-4	802-375C	4-12	803-006C	7-10
800-107C	5-4	802-046C	2-2	802-388C	4-22	803-007C	4-24
800-107C	5-6	802-051C	8-2	802-427C	7-12	803-008C	4-4
800-121C	4-16	802-057C	6-2	802-448C	4-4	803-008C	6-10
800-177C	6-4	802-058C	8-4	802-550C	7-2	803-014C	10-2
800-213C	7-2	802-058C	8-6	803-001C	4-18	803-014C	4-22
800-213C	7-4	802-059C	8-8	803-003C	4-18	803-020C	2-4
800-008C	7-2	802-078C	4-14	803-006C	5-10	803-020C	6-10
800-008C	7-4	802-079C	4-2	803-007C	4-14	803-020C	6-12
800-012C	4-10	802-079C	4-6	803-007C	4-8	803-020C	6-14
800-016C	7-6	802-079C	5-10	803-008C	5-10	803-020C	6-8
800-024C	7-10	802-082C	2-2	803-008C	5-8	803-023C	6-14
800-028C	4-24	802-092C	5-10	803-008C	6-2	803-035C	4-24
800-029C	7-10	802-092C	6-2	803-008C	6-8	803-058C	4-24
800-029C	7-12	802-099C	2-2	803-011C	4-16	803-088C	4-10
800-029C	7-8	802-099C	6-8	803-014C	4-2	803-088C	4-12
800-060C	7-8	802-104C	3-2	803-014C	4-6	803-088C	4-4
800-101C	4-24	802-104C	3-4	803-014C	5-10	803-169C	4-22
800-304C	7-8	802-119C	8-10	803-014C	6-2	803-209C	7-12
800-310C	7-14	802-121C	7-2	803-014C	7-2	803-293C	10-2
800-322C	7-2	802-121C	7-4	803-014C	7-4	803-310C	7-2
801-001C	5-8	802-148C	5-10	803-016C	5-8	804-001C	5-8
801-002C	7-2	802-151C	8-10	803-019C	7-2	804-002C	5-8
801-002C	7-4	802-155C	6-2	803-019C	7-4	804-003C	5-8
801-002C	7-6	802-177C	2-2	803-020C	2-2	804-004C	4-18
801-009C	5-10	802-196C	4-2	803-020C	4-2	804-006C	3-2
801-035C	5-2	802-196C	5-8	803-020C	4-6	804-006C	5-10
801-035C	5-4	802-197C	8-8	803-020C	6-6	804-006C	6-2
801-035C	5-6	802-203C	4-20	803-021C	6-2	804-009C	5-10
801-045C	4-18	802-212C	2-2	803-026C	2-2	804-009C	5-8
801-057C	5-2	802-226C	6-8	803-027C	2-2	804-009C	6-2
801-057C	5-4	802-228C	7-2	803-029C	3-4	804-009C	6-8
801-057C	5-6	802-228C	7-4	803-035C	5-8	804-011C	2-2
801-070C	6-2	802-252C	5-10	803-036C	6-2	804-011C	4-16
801-084C	7-14	802-282C	6-8	803-036C	6-8	804-011C	4-2
801-096C	4-18	802-299C	2-2	803-036C	7-2	804-011C	4-6
801-141C	7-14	802-311C	6-8	803-036C	7-4	804-012C	5-2
801-151C	4-20	802-375C	4-8	803-088C	4-2	804-012C	5-4
801-001C	4-24	802-387C	4-2	803-088C	4-8	804-012C	5-6
801-002C	7-8	802-387C	4-6	803-088C	5-10	804-012C	5-8
801-003C	4-24	802-387C	4-8	803-088C	5-8	804-012C	6-2
801-018C	2-4	802-411C	4-16	803-088C	8-2	804-012C	7-14
801-035C	4-24	802-421C	8-10	803-088C	8-4	804-012C	7-2
801-035C	4-4	802-421C	8-2	803-088C	8-6	804-012C	7-4
801-035C	6-14	802-421C	8-4	803-088C	8-6	804-012C	7-4
801-154C	4-18	802-421C	8-6	803-169C	4-20	804-013C	2-2
802-004C	5-2	802-421C	8-8	803-169C	7-2	804-013C	4-2
802-004C	5-4	802-421C	8-8	803-169C	7-4	804-013C	4-6
802-004C	5-6	802-425C	4-16	803-169C	8-10	804-013C	5-10
802-005C	3-2	802-442C	4-6	803-169C	8-2	804-013C	5-2
802-005C	4-8	802-550C	7-4	803-169C	8-4	804-013C	5-4
802-005C	8-2	802-617C	8-4	803-169C	8-6	804-013C	5-6
802-007C	5-8	802-618C	8-6	803-169C	8-8	804-013C	5-8
802-009C	6-2	802-633C	5-10	803-169C	8-8	804-013C	6-2
802-014C	2-2	802-004C	4-24	803-177C	8-8	804-013C	7-14
802-014C	5-2	802-005C	10-2	803-186C	3-2	804-013C	7-2
802-014C	5-4	802-005C	7-10	803-193C	7-2	804-013C	7-4
802-014C	5-6	802-009C	4-4	803-193C	7-4	804-013C	7-4
802-014C	5-8	802-034C	4-22	803-194C	5-2	804-015C	2-2
802-015C	6-2	802-038C	6-12	803-194C	5-2	804-015C	3-6
802-015C	7-2	802-050C	6-14	803-194C	5-4	804-015C	4-2
		802-078C	4-10	803-194C	5-6	804-015C	4-6
				803-199C	4-2	804-015C	6-2

Part Number Index

Part Number	Page	Part Number	Page	Part Number	Page	Part Number	Page
804-015C	6-6	805-154C	7-2	816-139C	3-2	817-025C	6-10
804-016C	6-2	805-154C	7-4	816-173C	7-14	817-026C	4-24
804-017C	2-2	805-180C	6-2	816-291C	4-14	817-042C	10-2
804-017C	6-8	805-180C	6-8	816-292C	5-10	817-087C	5-8
804-021C	5-8	805-186C	7-2	816-112C	4-24	817-191C	7-14
804-021C	6-2	805-186C	7-4	816-113C	4-24	817-314C	7-2
804-022C	6-2	805-234C	7-2	816-278C	4-10	817-314C	7-4
804-022C	8-10	805-234C	7-4	816-291C	4-10	817-516C	10-2
804-022C	8-2	805-240C	6-2	816-302C	7-2	818-019C	10-2
804-022C	8-4	805-240C	6-8	816-306C	7-2	818-055C	10-2
804-022C	8-6	805-019C	4-24	816-306C	7-4	818-229C	10-2
804-022C	8-8	805-067C	4-24	816-358C	7-12	818-230C	10-2
804-023C	2-2	805-067C	6-10	817-004C	5-2	818-295C	4-18
804-023C	2-2	806-005C	6-6	817-004C	5-4	818-296C	10-2
804-031C	5-2	806-004C	10-2	817-004C	5-6	818-296C	4-18
804-031C	5-4	806-005C	6-10	817-022C	8-10	818-337C	10-2
804-031C	5-6	806-005C	6-14	817-023C	8-10	818-339C	10-2
804-036C	4-16	807-023C	2-2	817-025C	6-2	818-398C	10-2
804-036C	5-8	807-097C	6-4	817-025C	6-8	818-557C	10-2
804-040C	5-8	807-101C	7-14	817-053C	5-10	818-583C	10-2
804-040C	7-2	807-106C	4-16	817-062C	8-8	818-789C	10-2
804-040C	7-4	807-106C	7-2	817-063C	8-8	818-826C	10-2
804-075C	4-18	807-106C	7-4	817-068C	5-2	818-827C	10-2
804-078C	7-14	807-159C	7-2	817-068C	5-4	818-055C	2-4
804-083C	3-2	807-159C	7-4	817-068C	5-6	818-207C	10-2
804-154C	7-2	807-096C	3-2	817-069C	5-2	818-245C	10-2
804-154C	7-4	808-046C	6-2	817-069C	5-4	818-518C	10-2
804-002C	4-24	808-086C	5-10	817-069C	5-6	818-837C	10-2
804-003C	4-24	808-125C	3-2	817-070C	5-2	818-838C	10-2
804-004C	4-24	808-143C	6-6	817-070C	5-4	819-001C	5-8
804-006C	2-4	808-254C	6-2	817-070C	5-6	819-041C	4-24
804-006C	4-24	808-046C	6-12	817-071C	5-2	820-155C	7-2
804-006C	7-10	808-046C	6-14	817-071C	5-4	820-155C	7-4
804-007C	2-4	808-143C	6-14	817-071C	5-6	822-008C	5-8
804-007C	4-10	808-170C	6-10	817-072C	5-2	822-013C	3-2
804-007C	7-10	808-270C	6-10	817-073C	5-2	822-014C	3-2
804-009C	4-4	809-070C	6-2	817-073C	5-4	822-020C	3-4
804-009C	6-10	809-096C	6-2	817-073C	5-6	822-021C	3-4
804-010C	6-2	809-096C	6-14	817-074C	5-2	822-032C	6-2
804-012C	4-24	809-198C	7-14	817-074C	5-4	822-032C	6-8
804-013C	10-2	810-149C	9-4	817-074C	5-6	822-048C	3-4
804-013C	4-22	810-162C	9-2	817-074C	5-2	822-053C	3-4
804-015C	2-4	811-063C	9-2	817-075C	5-4	822-083C	5-10
804-015C	6-10	811-383C	9-2	817-075C	5-6	822-095C	8-10
804-015C	6-12	812-236C	7-4	817-084C	7-2	822-095C	8-8
804-015C	6-14	812-245C	7-4	817-084C	7-4	822-103C	5-2
804-016C	3-6	813-302C	7-4	817-084C	8-10	822-103C	5-4
804-016C	6-10	814-010C	8-10	817-084C	8-2	822-103C	5-6
804-016C	6-12	814-029C	3-2	817-084C	8-4	822-106C	3-2
804-022C	6-14	814-029C	3-4	817-084C	8-6	822-107C	3-2
804-042C	4-24	814-030C	3-2	817-084C	8-8	822-108C	3-2
804-044C	4-24	814-030C	3-4	817-086C	4-18	822-119C	6-2
804-046C	4-24	814-034C	8-2	817-111C	6-4	822-119C	6-8
804-048C	5-10	814-067C	8-8	817-132C	7-2	822-170C	8-4
805-016C	5-8	814-157C	8-4	817-132C	7-4	822-170C	8-6
805-017C	3-4	814-158C	8-6	817-133C	7-2	822-041C	4-4
805-021C	3-6	814-159C	8-4	817-133C	7-4	822-126C	6-10
805-023C	5-2	814-160C	8-6	817-134C	7-14	822-128C	4-4
805-023C	5-4	814-174C	8-2	817-202C	4-18	822-170C	8-2
805-023C	5-6	815-013C	3-4	817-296C	8-4	838-102C	10-2
805-024C	6-4	816-002C	5-2	817-297C	8-6	838-169C	10-2
805-026C	6-2	816-002C	5-4	817-321C	4-8	838-237C	4-18
805-062C	3-2	816-002C	5-6	817-322C	4-8	838-265C	10-2
805-067C	4-18	816-002C	7-2	817-323C	5-10	838-266C	10-2
805-077C	3-6	816-002C	7-4	817-324C	4-8	838-267C	10-2
805-109C	6-2	816-007C	7-6	817-328C	7-2	838-412C	10-2
805-109C	7-2	816-035C	3-2	817-328C	7-4	838-467C	10-2
805-109C	7-4	816-035C	3-4	817-330C	8-2	838-467C	4-24
805-127C	7-2	816-050C	3-4	817-009C	4-24	838-482C	10-2
805-127C	7-4	816-138C	3-2	817-010C	4-24	890-005C	3-6

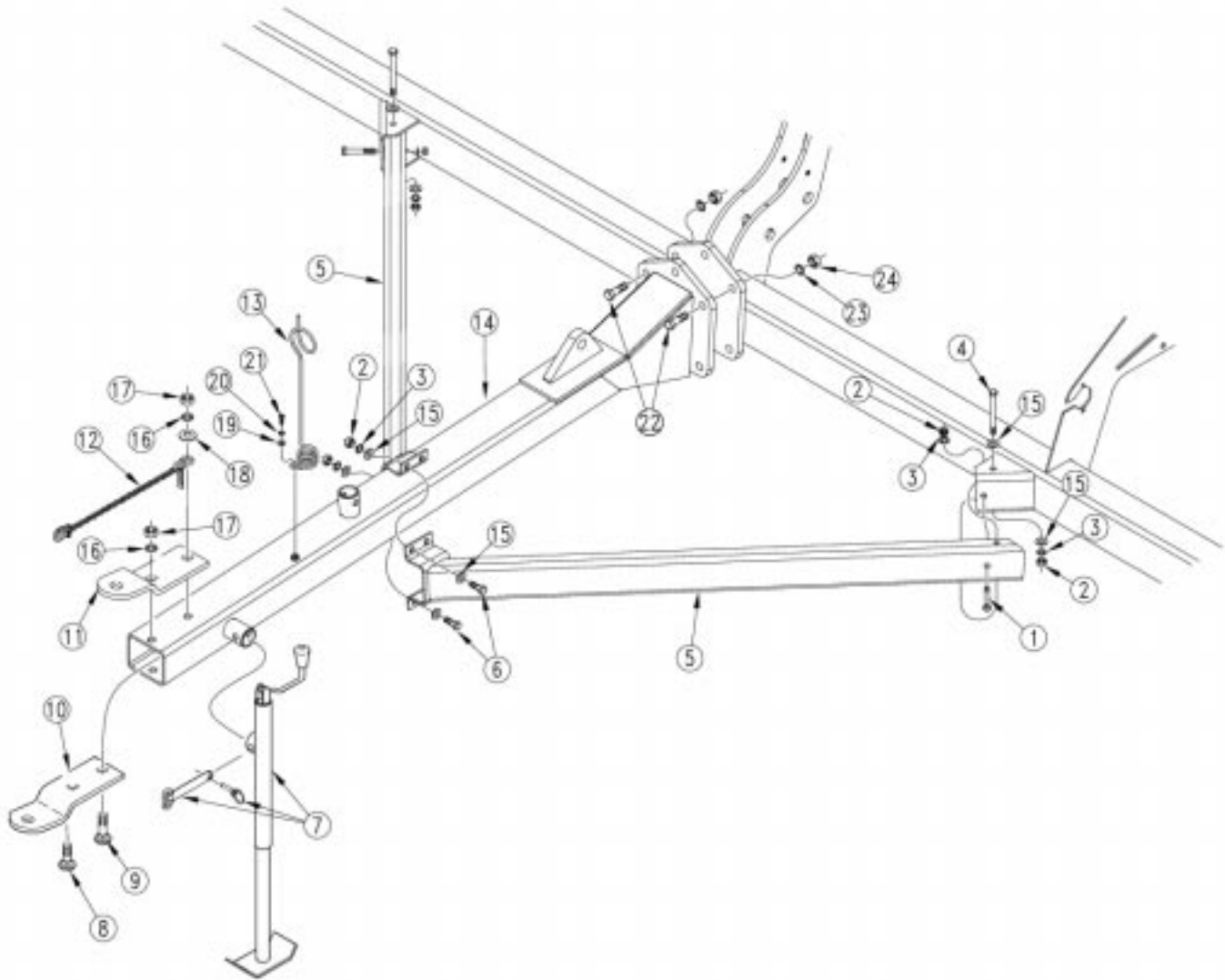
Part Number Index

<u>Part Number</u>	<u>Page</u>	<u>Part Number</u>	<u>Page</u>	<u>Part Number</u>	<u>Page</u>	<u>Part Number</u>	<u>Page</u>
890-011C 3-6						
890-026C 5-10						
890-118C 2-2						
890-143C 3-6						
890-182C 2-2						
890-190C 5-4						
890-190C 5-6						
890-221C 4-16						
890-305C 4-18						
890-311C 4-20						
890-312C 4-20						
890-350C 5-2						
890-350C 5-4						
890-350C 5-6						
890-390C 4-20						
890-391C 4-20						
890-466C 7-2						
890-466C 7-4						
890-616C 6-2						
890-349C 4-24						
À817-347C 7-4						

Part Number Index

<u>Part Number</u>	<u>Page</u>	<u>Part Number</u>	<u>Page</u>	<u>Part Number</u>	<u>Page</u>	<u>Part Number</u>	<u>Page</u>
--------------------	-------------	--------------------	-------------	--------------------	-------------	--------------------	-------------

Tongue & Pull Bar



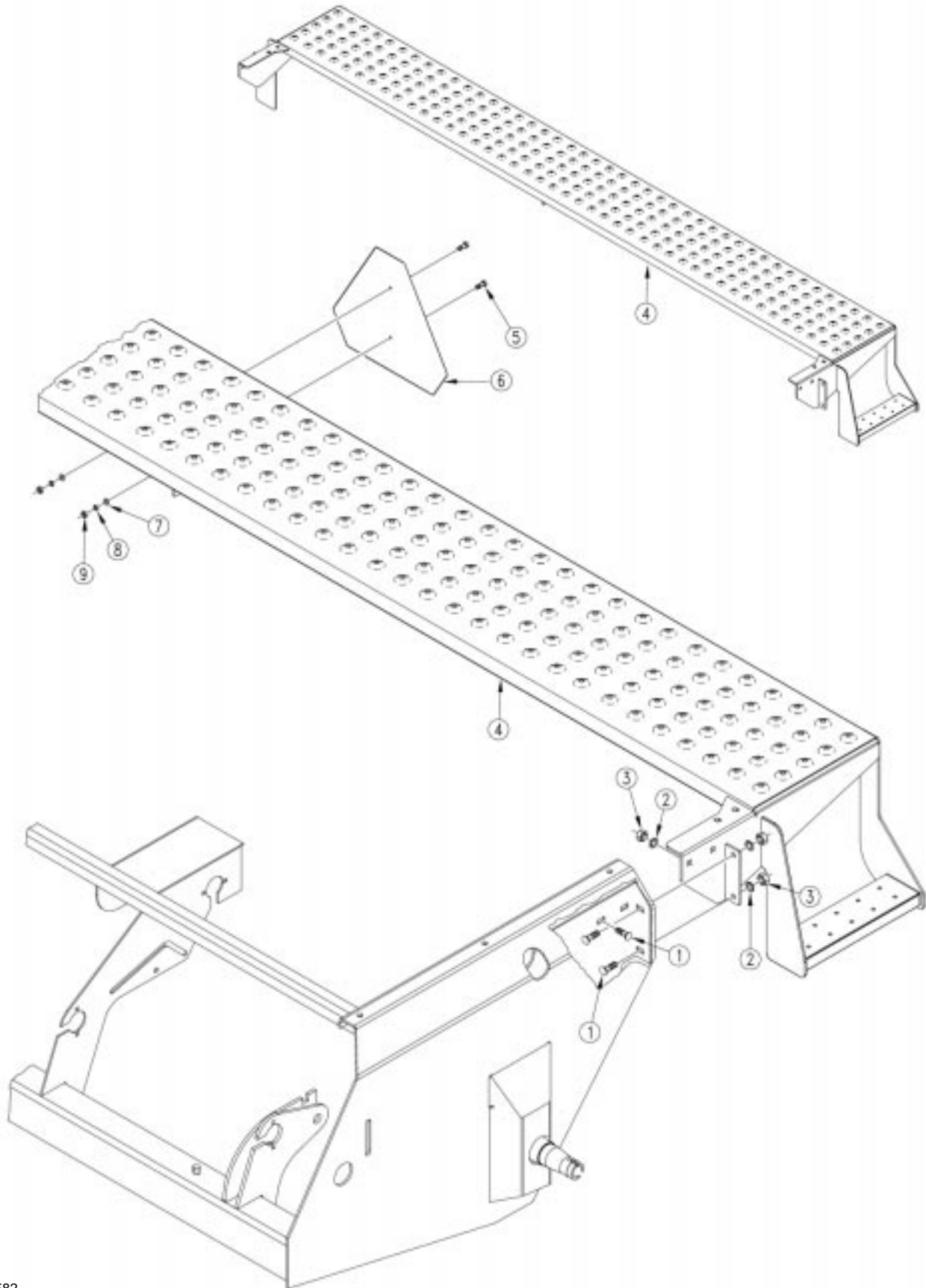
16571

Tongue & Pull Bar

Ref.	Part No.	Part Description	Comments
1.	802-099C	HHCS 1/2-13X3 1/4 GR5	
2.	803-020C	NUT HEX 1/2-13 PLT	
3.	804-015C	WASHER LOCK SPRING 1/2 PLT	
4.	802-046C	HHCS 1/2-13X5 1/2 GR5	
5.	175-155H	13' EW PULL BAR WELDMENT	
6.	802-082C	HHCS 1/2-13X1 3/4 GR5	
7.	890-118C	SCREW JACK 2000#	
8.	802-177C	RHSNB 3/4-10X2 1/2 GR5	
9.	802-299C	RHSNB 3/4-10X3 GR5	
10.	175-287D	13' EW CLEVIS HITCH BOT HALF	
11.	175-288D	13' EW CLEVIS HITCH TOP HALF	
12.	890-182C	SAFETY CHAIN 10000 LB	
13.	807-023C	SPRING HOSE LOOP	
14.	175-153H	13' EW TONGUE WELDMENT	
15.	804-017C	WASHER FLAT 1/2 USS PLT	
16.	804-023C	WASHER LOCK SPRING 3/4 PLT	
17.	803-027C	NUT HEX 3/4-10 PLT	
18.	177-587D	SAFETY CHAIN WASHER	
19.	804-011C	WASHER FLAT 3/8 USS PLT	
20.	804-013C	WASHER LOCK SPRING 3/8 PLT	
21.	802-014C	HHCS 3/8-16X3/4 GR5	
22.	802-212C	HHCS 3/4-10X2 1/2 GR5	
23.	804-023C	WASHER LOCK SPRING 3/4PLT	
24.	803-026C	NUT HEX 3/4-10 PLT	

Legend: ● = 1st revision; ● = 2nd revision; ● = 3rd revision; ● = use up existing stock; ⊗ = not interchangeable; ⊗ ① ● = for example: revision 2 is not interchangeable w/revision 1

Walkboard



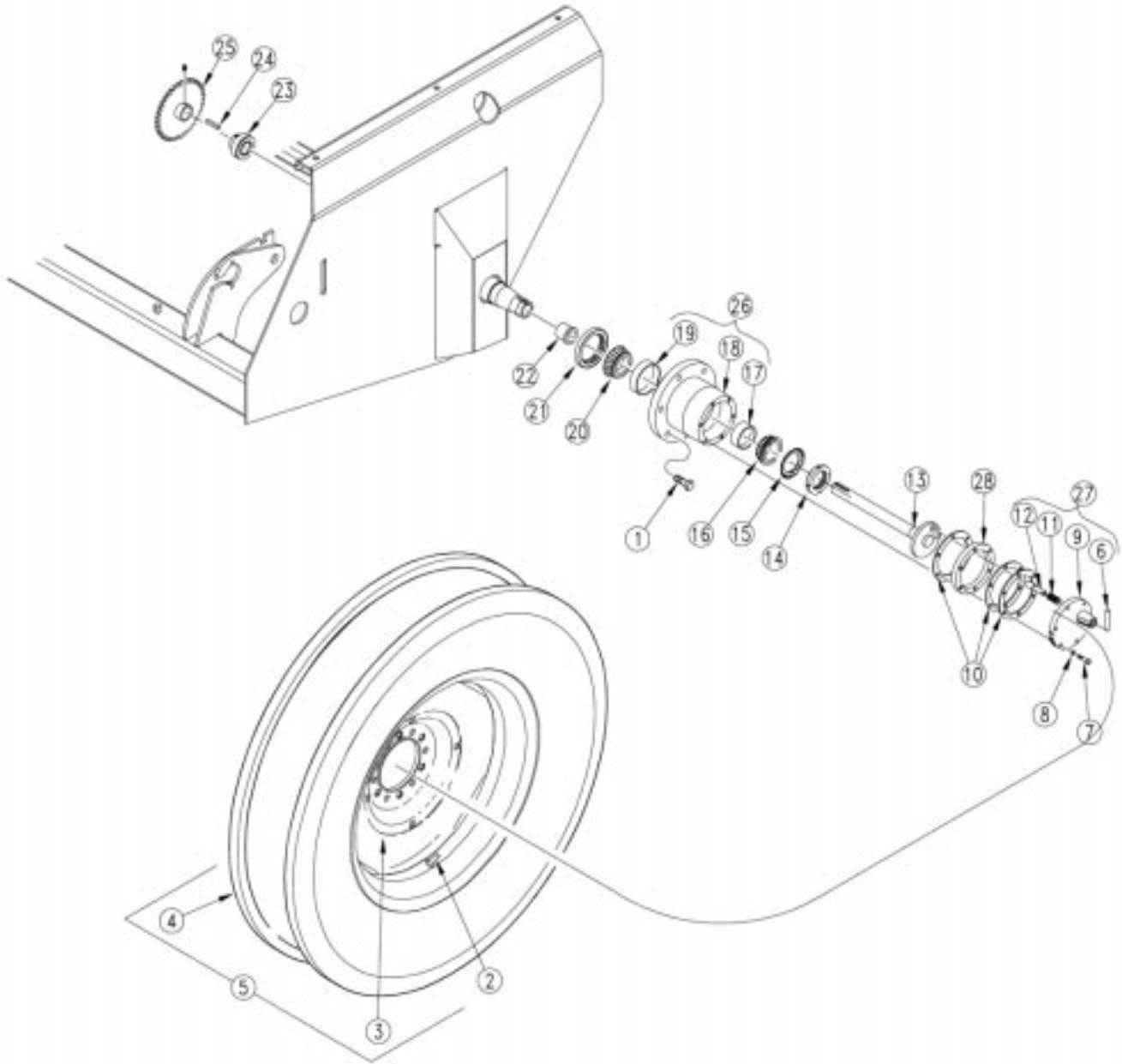
16582

Walkboard

Ref.	Part No.	Part Description	Comments
1.	802-214C	RHSNB 1/2-13X1 1/4 GR5	
2.	804-015C	WASHER LOCK SPRING 1/2 PLT	
3.	803-020C	NUT HEX 1/2-13 PLT	
4.	175-150H	13' EW WALKBOARD WELDMENT	
5.	801-018C	SCREW RD HD 1/4-20 X 5/8	
6.	818-055C	DECAL SLOW MOVING-GALV. BACKED	
7.	804-007C	WASHER FLAT 1/4 SAE PLT	
8.	804-006C	WASHER LOCK SPRING 1/4 PLT	
9.	803-006C	NUT HEX 1/4-20 PLT	

Legend: ① = 1st revision; ② = 2nd revision; ③ = 3rd revision; ● = use up existing stock; ⊗ = not interchangeable; ⊗ ① ② = for example: revision 2 is not interchangeable w/revision 1

Lock-Out Hub



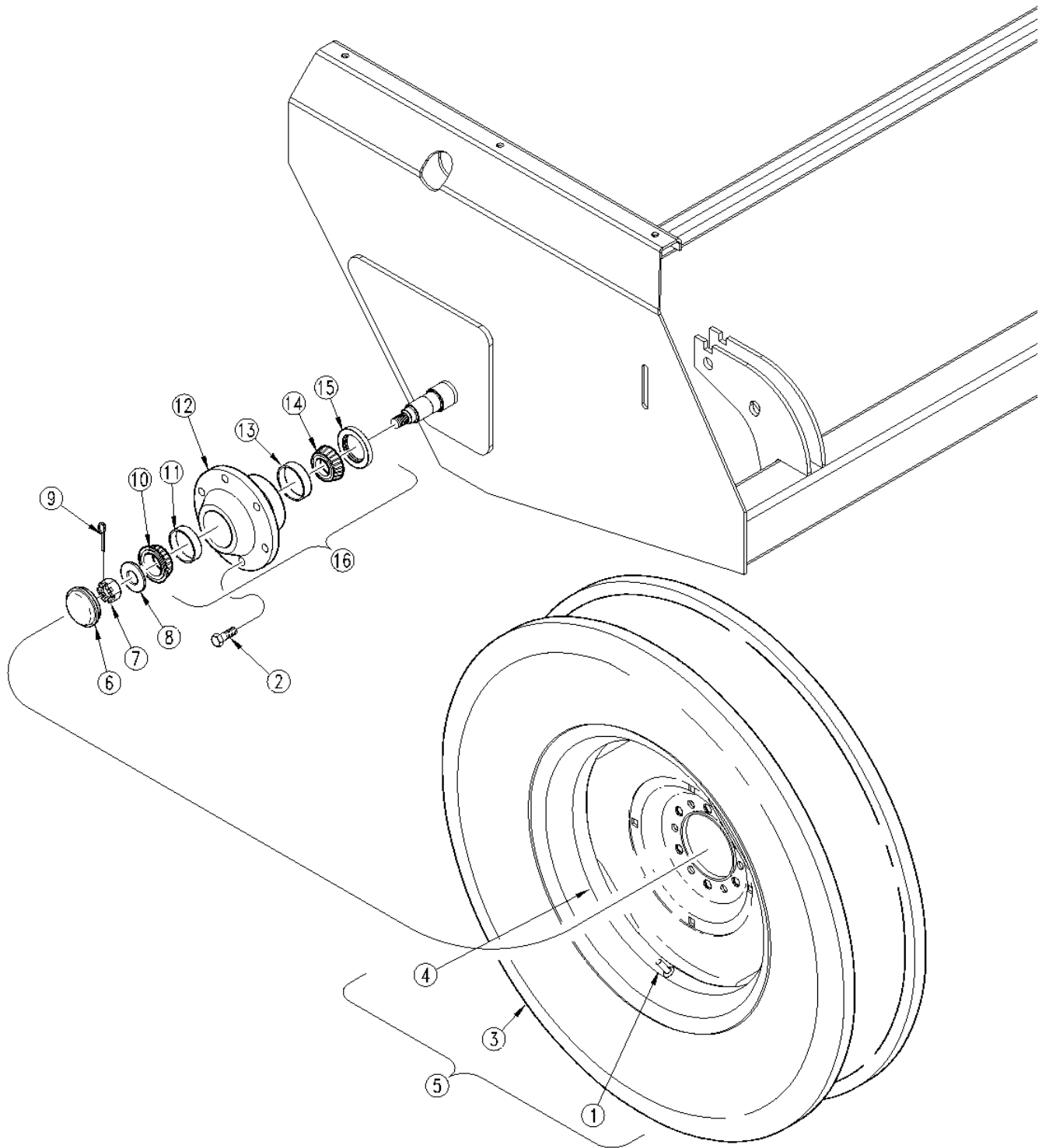
16572

Lock-Out Hub

Ref.	Part No.	Part Description	Comments
1.	802-104C	BOLT WHEEL 1/2-20X1 90-DEG	
2.	816-035C	VALVE STEM TR415X.625X1 1/4 LG	
3.	814-029C	WHEEL 20 X 5.50F-6 BOLT	
4.	814-030C	TIRE 7.50 X 20 4 PLY RIB IMPL	
5.	176-021K	TRANSPORT WHEEL & TIRE ASSY.	
6.	805-062C	PIN ROLL 3/16 X 2 1/2 LG. PTL.	
7.	802-005C	HHCS 1/4-20X1 GR5	
8.	804-006C	WASHER LOCK SPRING 1/4 PLT	
9.	172-199D	6 BOLT LOCKOUT END CAP	
10.	816-139C	30-3SEC LOCKOUT HUB SEAL	
11.	807-096C	SPRING COMP 1/2 OD X 1 LG	
12.	172-201D	6 BOLT LOCKOUT PLUNGER	
13.	175-162H	13' EW LOCKOUT HUB SHAFT	
14.	803-186C	NUT BEARING LOCK 1.767 OD THDS	
15.	804-083C	WASHER BEARING LOCK 1.767	
16.	822-014C	BEARING CONE 25590	
17.	822-013C	BEARING CUP 25520	
18.	172-218D	6-BOLT LOCKOUT HUB-MACHINED	
19.	822-107C	BEARING CUP 2.25 ID 382A	
20.	822-106C	BEARING CONE 2.25 ID 387	
21.	816-138C	SEAL DBL LIP 2.5 ID X 3.881 OD	
22.	822-108C	BUSHING BRZ 1 IDX1 1/4 OD FLG	
23.	188-003V	BEARING 1.000 DIA W/SET-SCREWS	
24.	172-242D	1/4 SQ. KEY X 7/8 LG	
25.	808-125C	SPKT 40B19X1 B MAX .875 THRU	
26.	200-041S	6-BOLT LOCKOUT HUB W/ CUPS	Includes items 17 through 19
27.	175-173S	LOCK OUT HUB END CAP ASY	Includes items 6, 9, 11 & 12
28.	172-306D	36' & 45' LOCKOUT HUB SPACER	

Legend: ● = 1st revision; ● = 2nd revision; ● = 3rd revision; ● = use up existing stock; ⊗ = not interchangeable; ⊗ ① ● = for example: revision 2 is not interchangeable w/revision 1

Transport Wheel



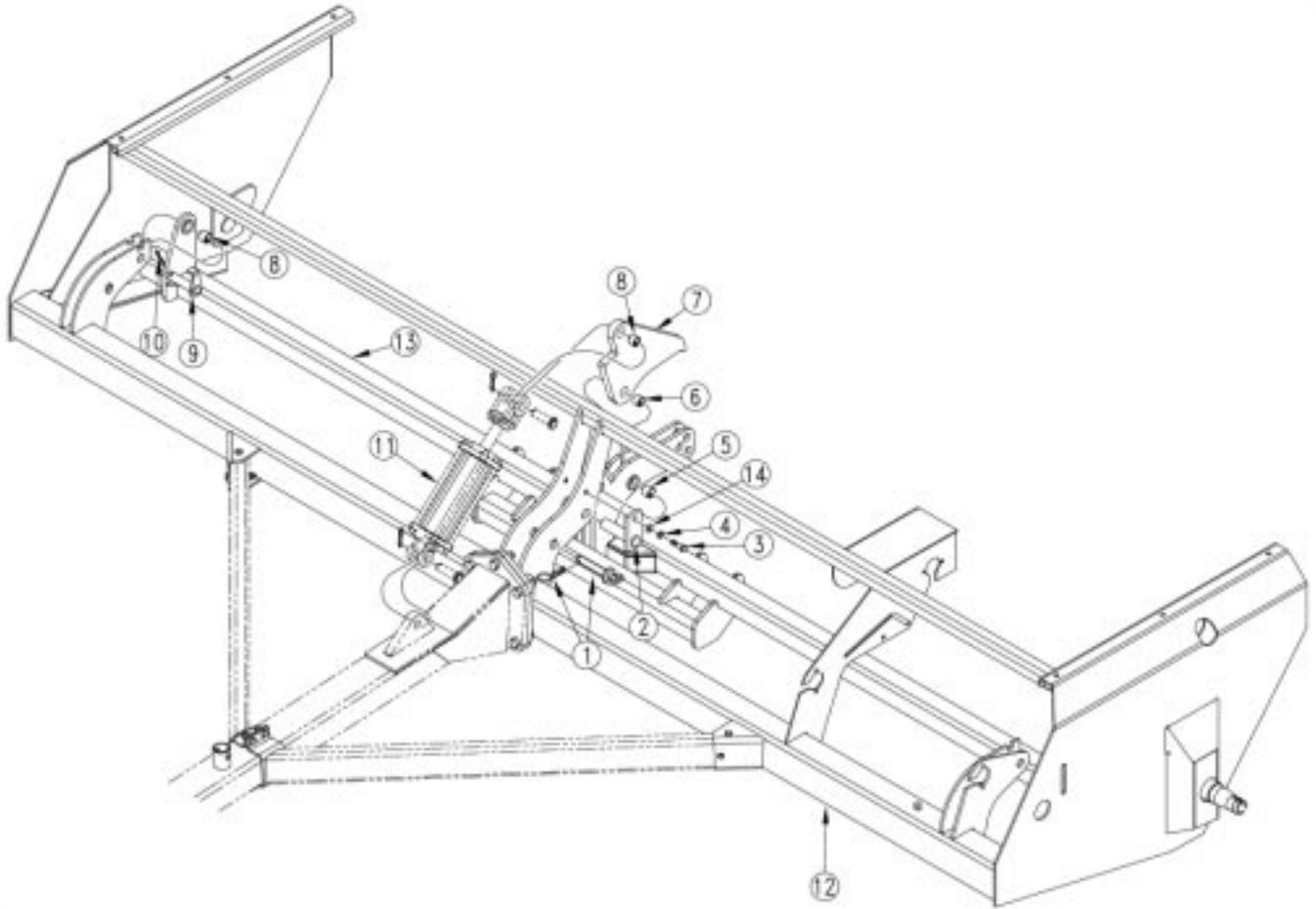
16573

Transport Wheel

Ref.	Part No.	Part Description	Comments
1.	816-035C	VALVE STEM TR415X.625X1 1/4 LG	
2.	802-104C	BOLT WHEEL 1/2-20X1 90-DEG	
3.	814-030C	TIRE 7.50 X 20 4 PLY RIB IMPL	
4.	814-029C	WHEEL 20 X 5.50F-6 BOLT	
5.	176-021K	TRANSPORT WHEEL & TIRE ASSY.	Includes itmes 1, 3 & 4
6.	200-001D	HUB GREASE CAP	
7.	803-029C	NUT HEX SLOTTED 7/8-14 PLT	
8.	181-064D	7/8 SPINDLE WASHER, HARDENED	
9.	805-017C	PIN COTTER 3/16 X 1 3/4 PLT	
10.	822-021C	BEARING CONE LM-67048	
11.	822-020C	BEARING CUP LM-67010	
12.	815-013C	6H-06AA HUB PACKAGE LESS SEAL	
13.	822-053C	BEARING CUP #LM 501310	
14.	822-048C	BEARING CONE #LM 501349	
15.	816-050C	SEAL MF WALKING TANDEM HUB	
16.	200-027S	MF WALKING TANDEM HUB ASSEMBLY	Includes items 6 & 10 through 15

Legend: ● = 1st revision; ● = 2nd revision; ● = 3rd revision; ● = use up existing stock; ⊗ = not interchangeable; ⊗ ① ● = for example: revision 2 is not interchangeable w/revision 1

Opener Lift



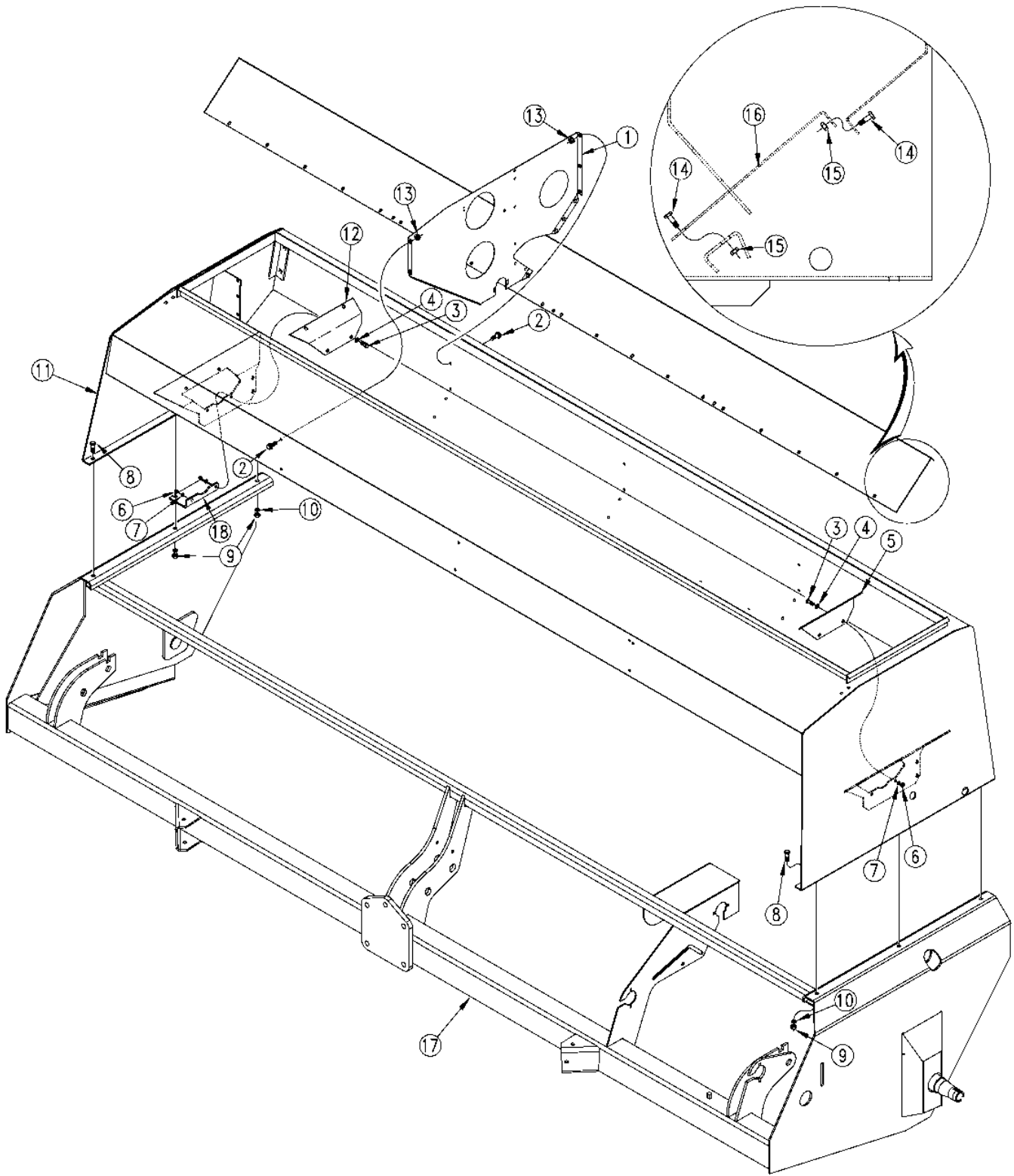
16574

Opener Lift

Ref.	Part No.	Part Description	Comments
1.	805-077C	PIN HITCH 1 X 4 1/2 USABLE LG	
2.	175-148H	13' EW SUB FRM MTG PIN CTR	
3.	802-034C	HHCS 1/2-13X1 1/4 GR5	
4.	804-015C	WASHER LOCK SPRING 1/2 PLT	
5.	890-143C	BUSHING HARDENED 1 1/4-1-3/4 L	
6.	890-011C	BUSHING SPINDLE 1 1/2X1 1/4X1	
7.	175-302D	13' EW CYLINDER FLEX LUG	
8.	890-005C	BUSHING CYL 1 1/4 X 1 X 1	
9.	175-149H	13' EW SUB FRM MTG PIN END	
10.	805-021C	PIN COTTER 1/4 X 2 PLT	
11.	175-174A	13' EW CYLINDER KIT	Refer to page 9-1.
12.	175-147H	13' EW MAIN FRAME	
13.	175-154H	13' EW SUB-FRAME WELDMENT	
14.	804-016C	WASHER FLAT 1/2 SAE PLT	

Legend: ● = 1st revision; ● = 2nd revision; ● = 3rd revision; ● = use up existing stock; ⊗ = not interchangeable; ⊗ ① ● = for example: revision 2 is not interchangeable w/revision 1

Box To Frame



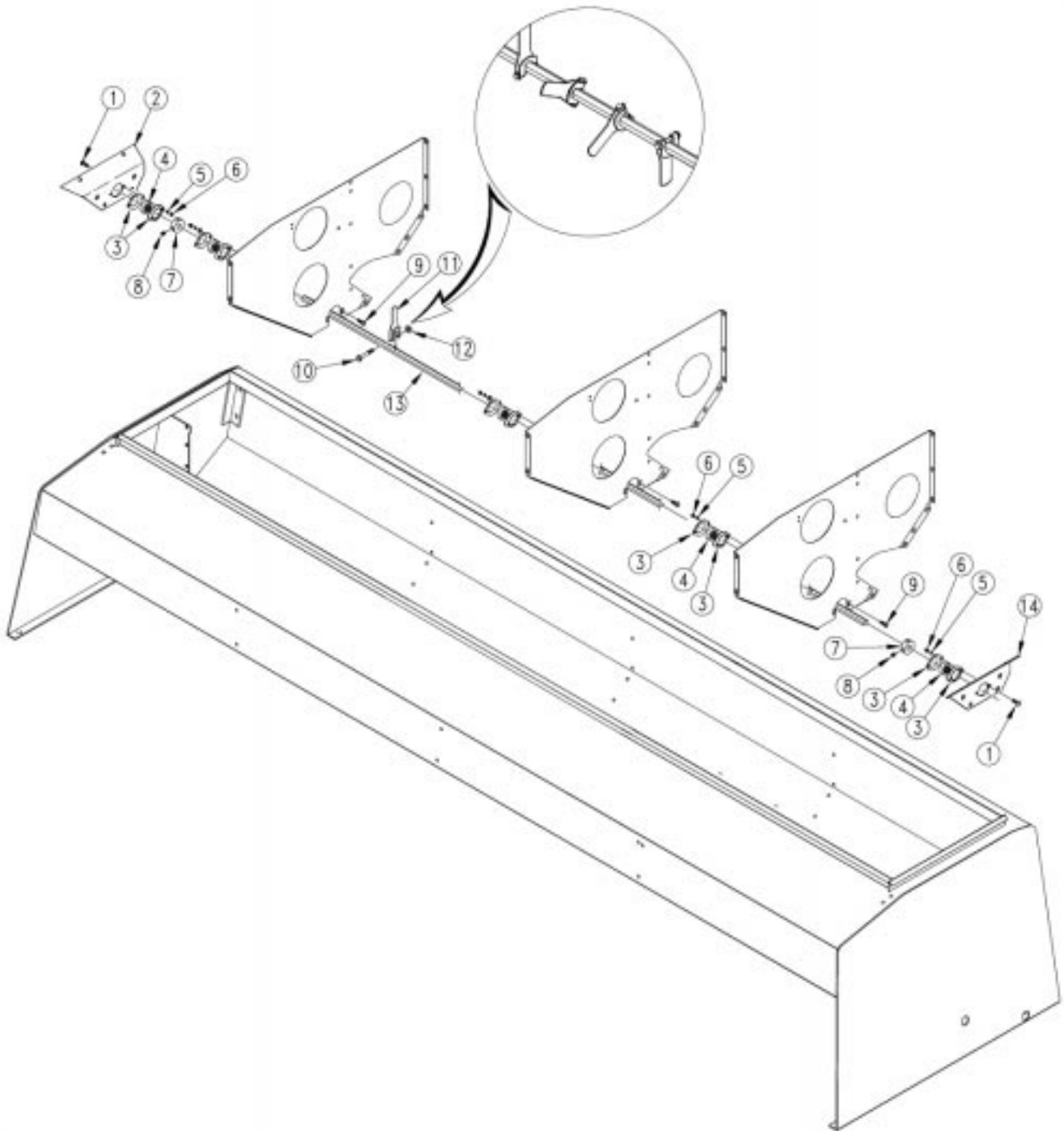
16575

Box To Frame

Ref.	Part No.	Part Description	Comments
1.	195-100D	3S BOX PARTITION	
2.	802-387C	HFS 5/16-18X3/4 GR5	
3.	802-079C	HHCS 3/8-16X1 1/4 GR5	
4.	804-011C	WASHER FLAT 3/8 USS PLT	
5.	195-101D	INTERIOR ENDPANEL COVER LH	
6.	803-014C	NUT HEX 3/8-16 PLT	
7.	804-013C	WASHER LOCK SPRING 3/8 PLT	
8.	802-034C	HHCS 1/2-13X1 1/4 GR5	
9.	803-020C	NUT HEX 1/2-13 PLT	
10.	804-015C	WASHER LOCK SPRING 1/2 PLT	
11.	175-145H	13' EW SEED BOX	
12.	195-102D	INTERIOR ENDPANEL COVER RH	
13.	803-199C	NUT HEX FLANGE 5/16-18 PLT	
14.	802-196C	HFSS 1/4-20X5/8 GR5	
15.	803-088C	NUT HEX LOCK 1/4-20 FLG	
16.	175-289D	13' EW FERTILIZER CAP PLATE	
17.	175-147H	13' EW MAIN FRAME	
18.	148-613D	1000 WIRING SUPPORT ANGLE	

Legend: ● = 1st revision; ● = 2nd revision; ● = 3rd revision; ● = use up existing stock; ⊗ = not interchangeable; ⊗ ① ● = for example: revision 2 is not interchangeable w/revision 1

Agitator (Option)



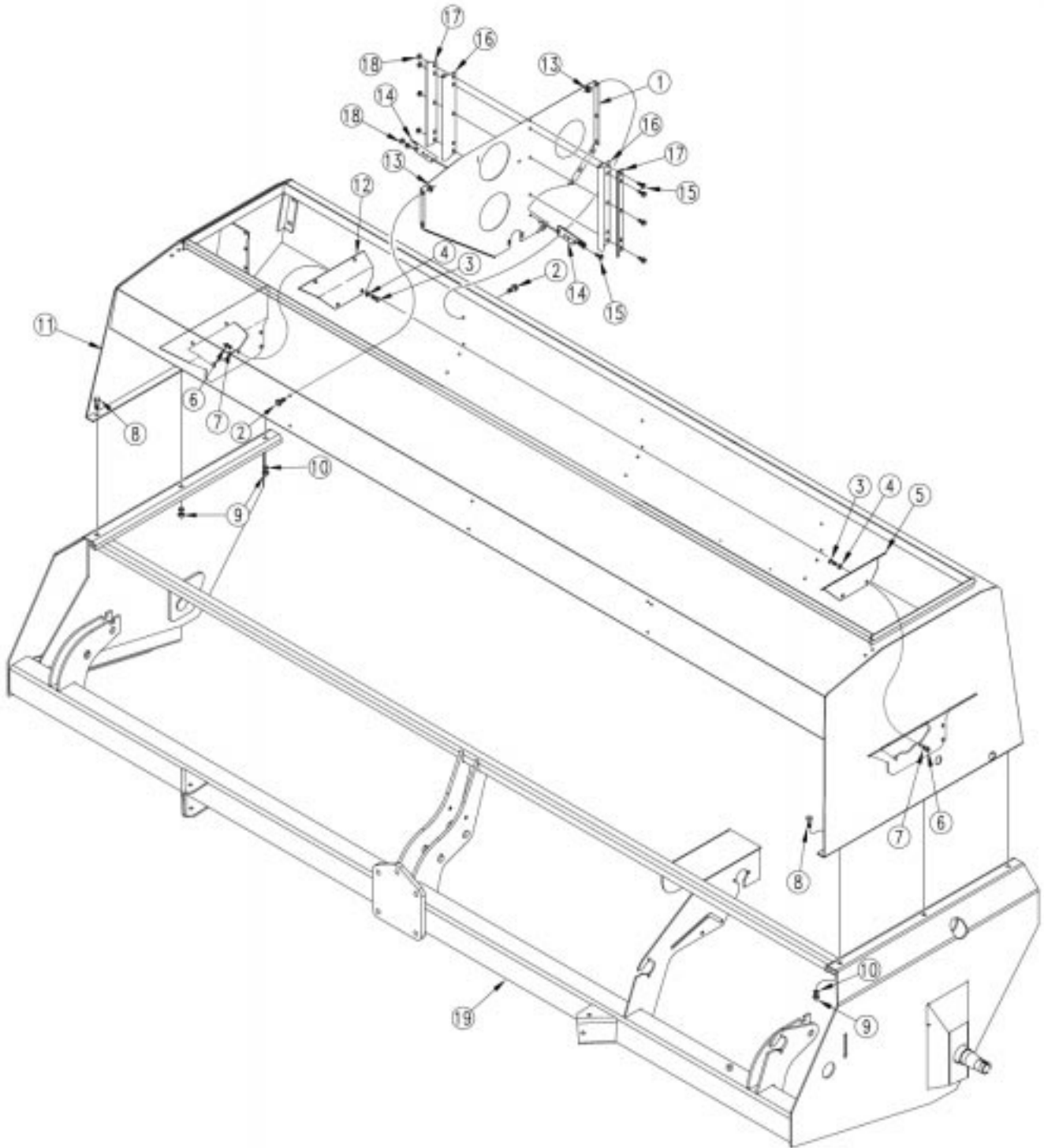
16943

Agitator (Option)

Ref.	Part No.	Part Description	Comments
1.	802-009C	RHSNB 5/16-18X1 1/4 GR5	
2.	175-339D	1300 AGITATOR BEARING PLT RH	
3.	822-041C	FLANGETTE 47 MST	
4.	822-128C	BEARING 3/4HEX B 47MM SPHER OD	
5.	804-009C	WASHER LOCK SPRING 5/16 PLT	
6.	803-008C	NUT HEX 5/16-18 PLT	
7.	118-494D	LOCK COLLAR 3/4 HEX BORE	
8.	801-035C	SCREW SET 5/16-18 SKT KP X 3/8	
9.	802-092C	RHSNB 5/16-18X3/4 GR5	
10.	802-448C	HFSS 1/4-20X2 GR5	
11.	118-493D	AGITATOR PADDLE 3/4 HEX	
12.	803-088C	NUT HEX LOCK 1/4-20 FLG	
13.	175-341D	1300 AGITATOR SHAFT	
14.	175-340D	1300 AGITATOR BEARING PLT LH	

Legend: ● = 1st revision; ● = 2nd revision; ● = 3rd revision; ● = use up existing stock; ⊗ = not interchangeable; ⊗ ① ● = for example: revision 2 is not interchangeable w/revision 1

Box To Frame –Fertilizer Drill



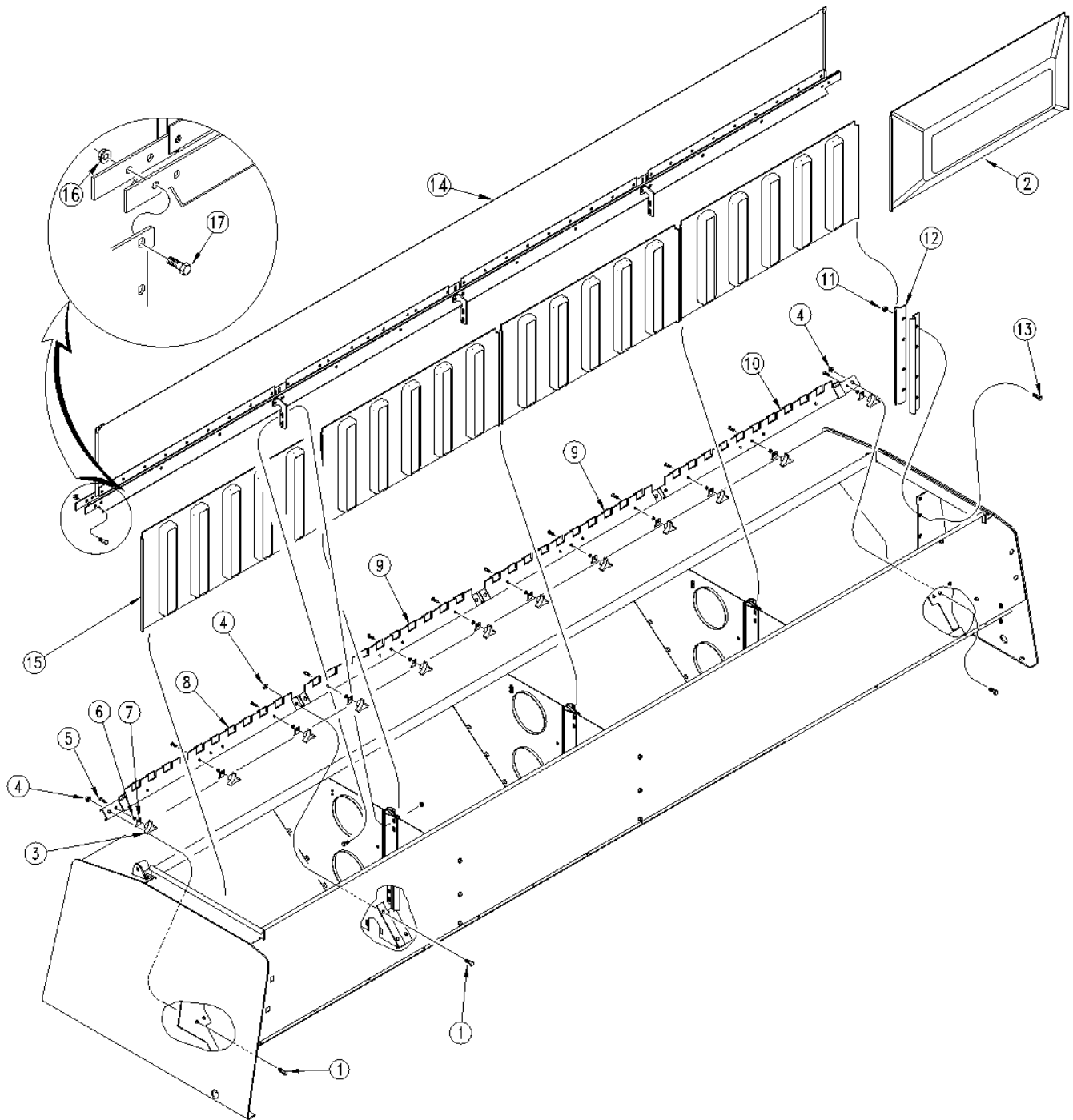
16637

Box To Frame –Fertilizer Drill

Ref.	Part No.	Part Description	Comments
1.	195-100D	3S BOX PARTITION	
2.	802-387C	HFS 5/16-18X3/4 GR5	
3.	802-079C	HHCS 3/8-16X1 1/4 GR5	
4.	804-011C	WASHER FLAT 3/8 USS PLT	
5.	195-101D	INTERIOR ENDPANEL COVER LH	
6.	803-014C	NUT HEX 3/8-16 PLT	
7.	804-013C	WASHER LOCK SPRING 3/8 PLT	
8.	802-034C	HHCS 1/2-13X1 1/4 GR5	
9.	803-020C	NUT HEX 1/2-13 PLT	
10.	804-015C	WASHER LOCK SPRING 1/2 PLT	
11.	175-145H	13' EW SEED BOX	
12.	195-102D	INTERIOR ENDPANEL COVER RH	
13.	803-199C	NUT HEX FLANGE 5/16-18 PLT	
14.	195-205D	DIVIDER ANGLE BRACKET	
15.	802-442C	HFSS 5/16-18X1 1/4	
16.	195-206D	DIVIDER CLIP INNER	
17.	195-207D	DIVIDER CLIP OUTER	
18.	803-199C	NUT HEX FLANGE 5/16-18 PLT	
19.	175-147H	13' EW MAIN FRAME	

Legend: ● = 1st revision; ● = 2nd revision; ● = 3rd revision; ● = use up existing stock; ⊗ = not interchangeable; ⊗ ① ● = for example: revision 2 is not interchangeable w/revision 1

Fertilizer Box Dividers



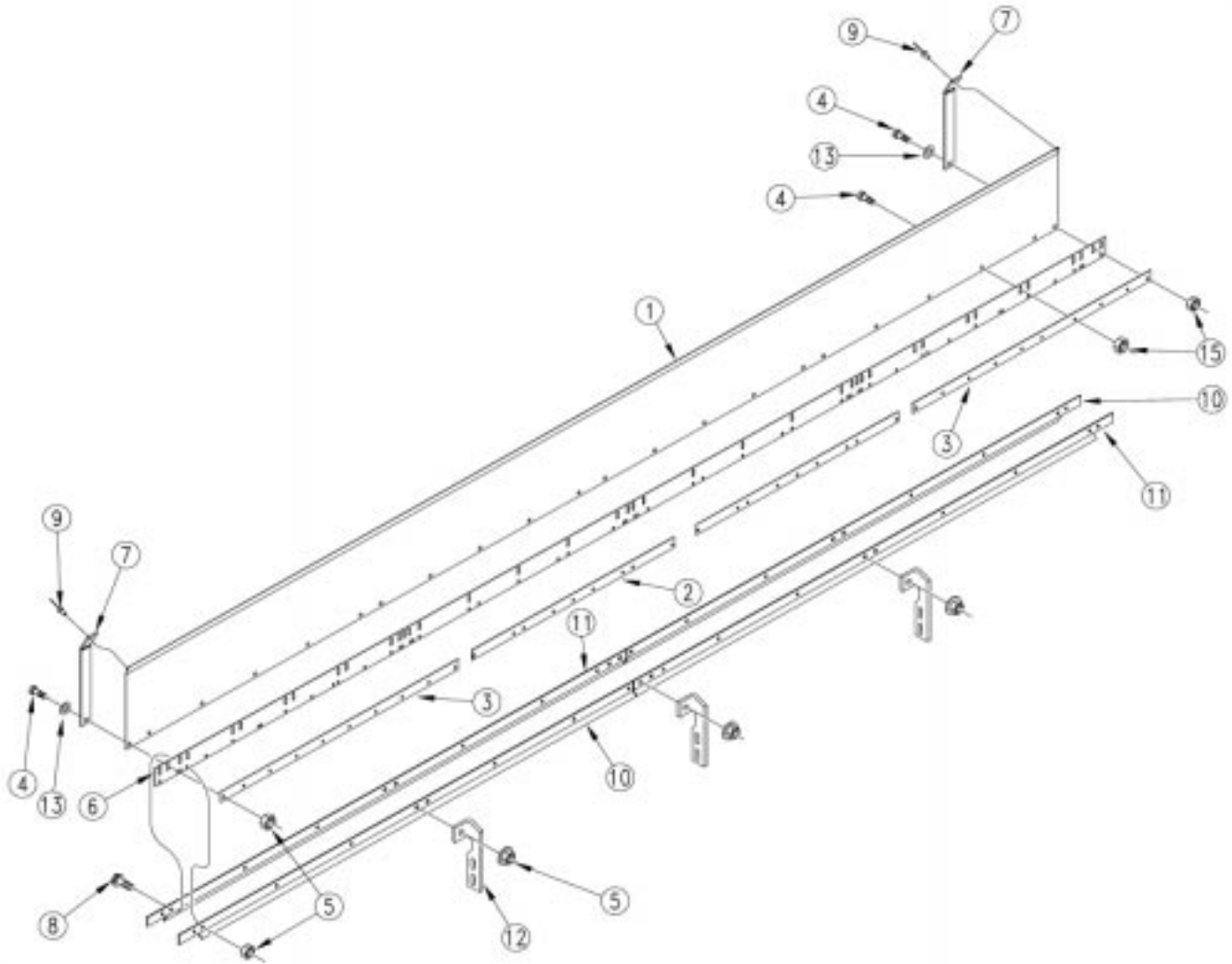
16576

Fertilizer Box Dividers

Ref.	Part No.	Part Description	Comments
1.	802-017C	HHCS 3/8-16X1 GR5	
2.	817-322C	DIVIDER INSERT 33 X 4.5 OFFSET	Option.
3.	817-324C	KNOB 1/4-20 FEMALE THD	
4.	803-209C	NUT FLANGE LOCK 3/8-16 PLT	
5.	802-005C	HHCS 1/4-20X1 GR5	
6.	803-007C	NUT LOCK 1/4-20 PLT	
7.	195-208D	RETAINER CLIP	
8.	195-182H	DIVIDER BOTTOM BRACKET LH	
9.	195-181H	DIVIDER BOTTOM BRACKET CTR	
10.	195-183H	DIVIDER BOTTOM BRACKET RH	
11.	803-199C	NUT HEX FLANGE 5/16-18 PLT	
12.	195-194D	DIVIDER CLIP, END MOUNTED	
13.	802-387C	HFS 5/16-18X3/4 GR5	
14.	175-190S	1300 SPILL FLAP SUB ASSEMBLY	Refer to page 4-9
15.	817-321C	DIVIDER INSERT 33 X NO OFFSET	
16.	803-088C	NUT HEX LOCK 1/4-20 FLG	
17.	802-375C	HFSS 1/4-20X1 GR5	

Legend: ● = 1st revision; ● = 2nd revision; ● = 3rd revision; ● = use up existing stock; ⊗ = not interchangeable; ⊗ ① ● = for example: revision 2 is not interchangeable w/revision 1

Fertilizer Spill Flap



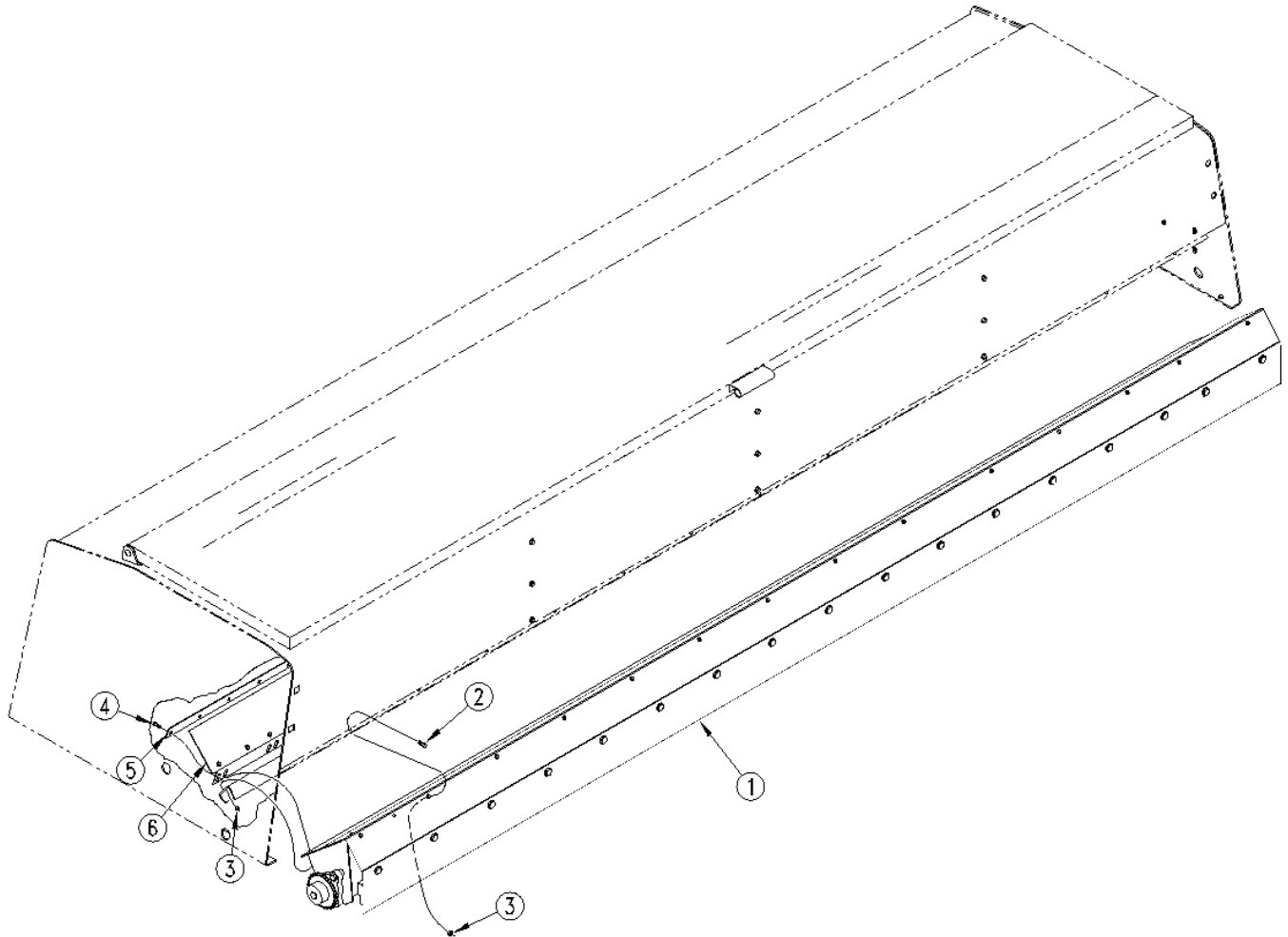
16579

Fertilizer Spill Flap

Ref.	Part No.	Part Description	Comments
1.	175-331D	1300 SPILL FLAP	
2.	195-197D	HINGE CLAMP STRIP CTR	
3.	175-327D	1300 HINGE CLAMP STRIP END	
4.	802-078C	HHCS 1/4-20X5/8 GR5	
5.	803-088C	NUT HEX LOCK 1/4-20 FLG	
6.	816-291C	RUBBER BELTING HINGE 13 EW	
7.	816-278C	RUBBER BELTING SEAL STRIP	
8.	802-375C	HFSS 1/4-20X1 GR5	
9.	800-012C	RIVET SS 1/8 DIA	
10.	175-325D	1300 DIVIDER CLAMP ANGLE SHORT	
11.	175-326D	1300 DIVIDER CLAMP ANGLE LONG	
12.	195-192D	TOP BAR PARTITION BRACE	
13.	804-007C	WASHER FLAT 1/4 SAE PLT	

Legend: ● = 1st revision; ● = 2nd revision; ● = 3rd revision; ● = use up existing stock; ⊗ = not interchangeable; ⊗ ① ● = for example: revision 2 is not interchangeable w/revision 1

Fertilizer Tray To Box



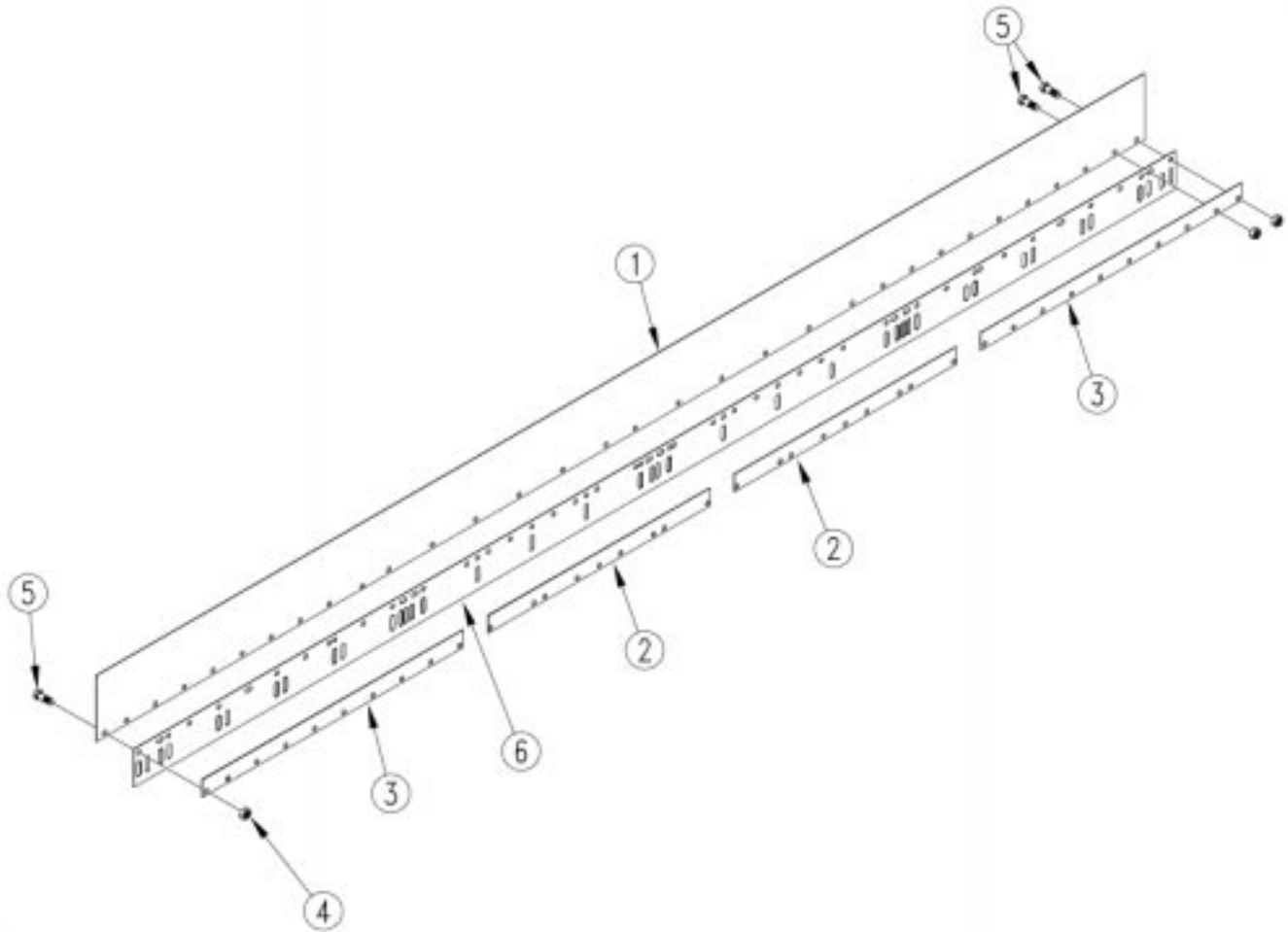
16580

Fertilizer Tray To Box

Ref.	Part No.	Part Description	Comments
1.	175-187K	1300 FERT TRAY ASSEMBLY 6	Refer to page 5-9.
	175-188K	1300 FERT TRAY ASSEMBLY 7 1/2	Refer to page 5-9.
	175-189K	1300 FERT TRAY ASSEMBLY 10	Refer to page 5-9.
2.	802-196C	HFSS 1/4-20X5/8 GR5	
3.	803-088C	NUT HEX LOCK 1/4-20 FLG	
4.	802-375C	HFSS 1/4-20X1 GR5	
5.	175-327D	1300 HINGE CLAMP STRIP END	End strips.
	195-197D	HINGE CLAMP STRIP CTR	Center strips.
6.	175-191S	1300 SEED/FERT FLAP SUB ASSY	Refer to page 4-13.

Legend: ● = 1st revision; ● = 2nd revision; ● = 3rd revision; ● = use up existing stock; ⊗ = not interchangeable; ⊗ ① ● = for example: revision 2 is not interchangeable w/revision 1

Seed/ Fertilizer Flap



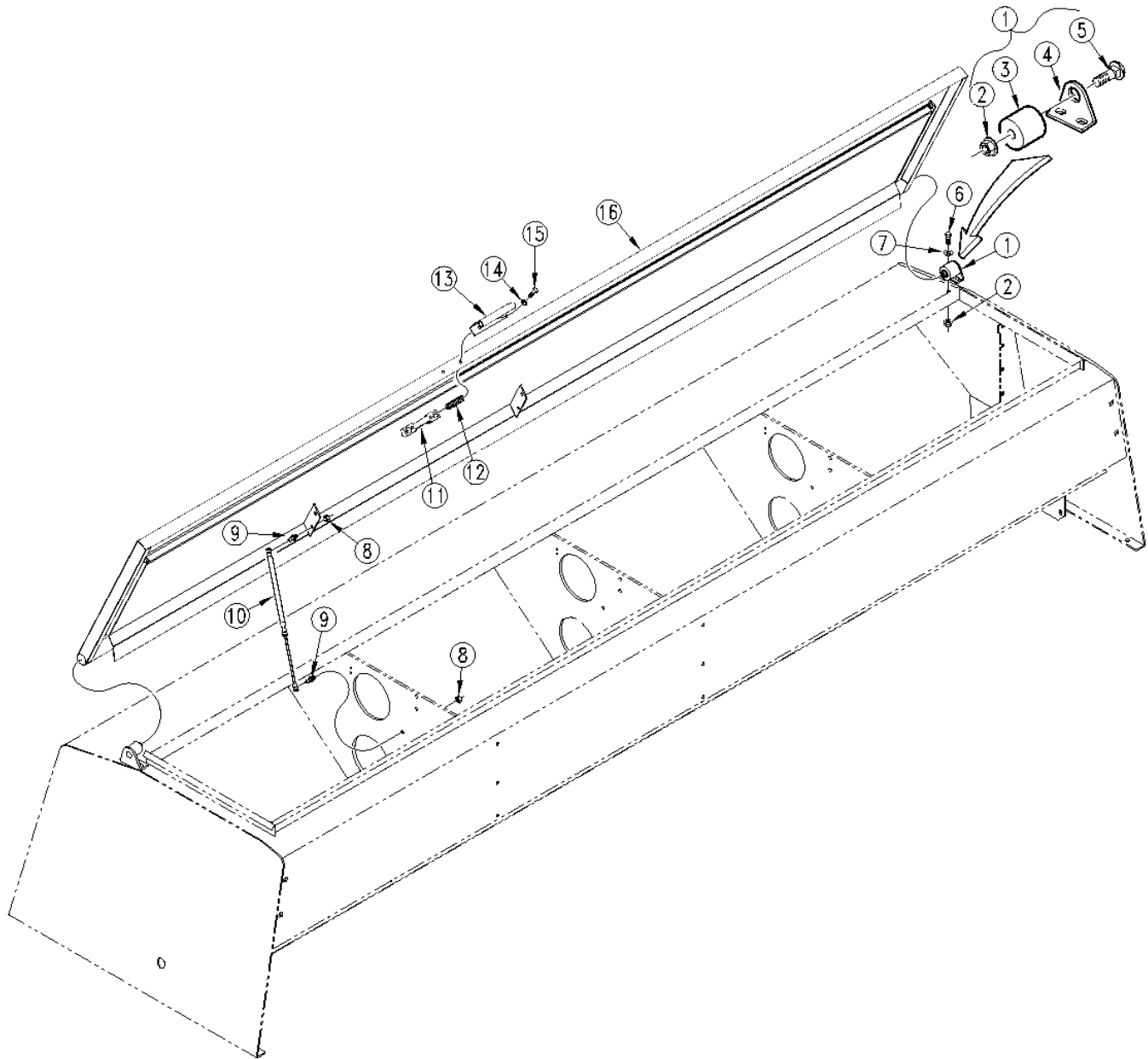
16578

Seed/ Fertilizer Flap

Ref.	Part No.	Part Description	Comments
1.	175-332D	1300 SEED/FERT SELECT FLAP	
2.	195-197D	HINGE CLAMP STRIP CTR	
3.	175-327D	1300 HINGE CLAMP STRIP END	
4.	803-007C	NUT LOCK 1/4-20 PLT	
5.	802-078C	HHCS 1/4-20X5/8 GR5	
6.	816-291C	RUBBER BELTING HINGE 13 EW	

Legend: ① = 1st revision; ② = 2nd revision; ③ = 3rd revision; ● = use up existing stock; ⊗ = not interchangeable; ⊗ ① ② = for example: revision 2 is not interchangeable w/revision 1

Lid To Box



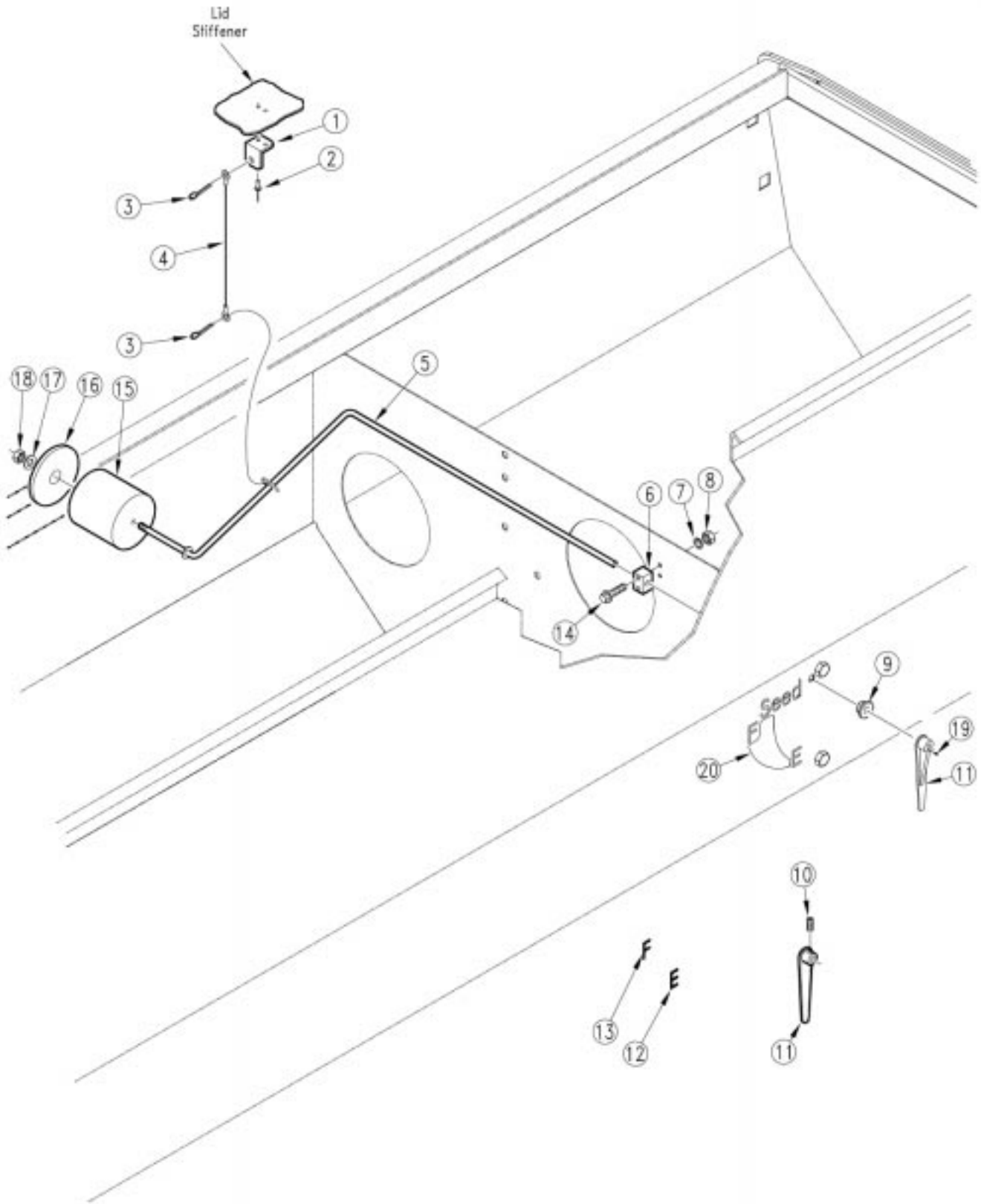
16577

Lid To Box

Ref.	Part No.	Part Description	Comments
1.	313-076S	LID HINGE ASSEMBLY PS25120	Includes items 2 through 5
2.	803-209C	NUT FLANGE LOCK 3/8-16 PLT	
3.	313-186D	LID HINGE PIVOT	
4.	313-176D	LID HINGE BASE PLATE	
5.	802-411C	RHSNB 3/8-16X2 GR5	
6.	802-017C	HHCS 3/8-16X1 GR5	
7.	804-011C	WASHER FLAT 3/8 USS PLT	
8.	803-011C	NUT LOCK 5/16-18 PLT	
9.	800-121C	BALL STUD 10MM X 5/16-18 UNC	
10.	890-221C	12-20 x 90 LB GAS SPRING	
11.	119-153D	LATCH CASTING MACHINED	
12.	807-106C	SPRING .540 O.D.X 1 1/4 X.054W	
13.	119-154D	LID HANDLE	
14.	804-036C	WASHER FLAT 5/16 SAE PLT	
15.	802-425C	HHCS 5/16-18X1 1/4 NYL	
16.	175-146H	13' EW SEED BOX LID	

Legend: ● = 1st revision; ● = 2nd revision; ● = 3rd revision; ● = use up existing stock; ⊗ = not interchangeable; ⊗ ① ● = for example: revision 2 is not interchangeable w/revision 1

Seed Level Indicator



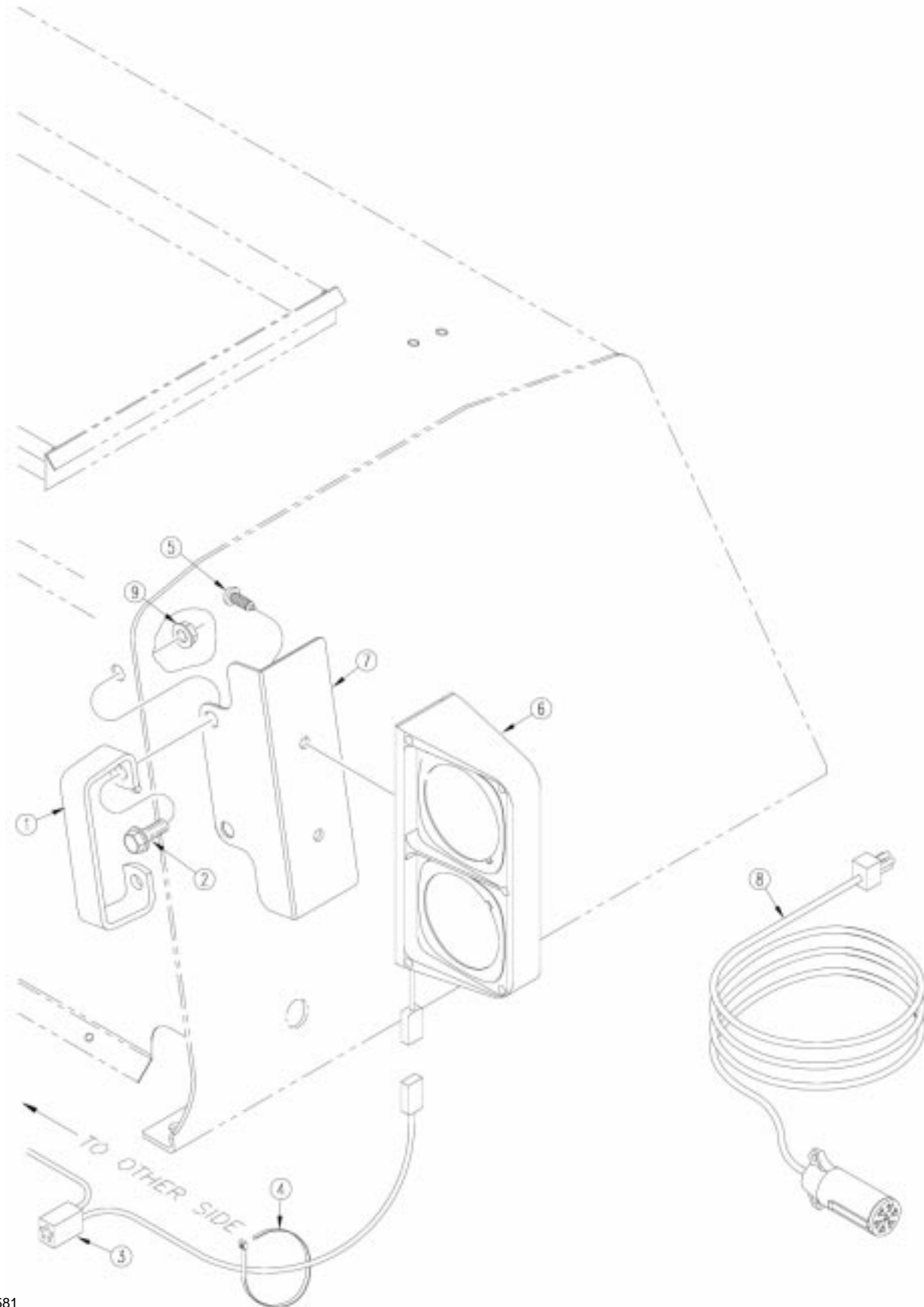
16640

Seed Level Indicator

Ref.	Part No.	Part Description	Comments
1.	197-091D	SEED LEVEL CHAIN BRACKET	
2.	800-101C	RIVET POP 1/8 .125 AD42BSLF	
3.	805-067C	PIN COTTER 1/8 X 3/4	
4.	890-305C	CABLE 3/64 X 11 5/8 W/ EYELETS	
5.	195-124H	3S SEED LEVEL ROD	
6.	817-202C	SEED LEVEL ARM MOUNT	
7.	804-004C	WASHER INTERNAL STAR #10 PLT	
8.	803-001C	NUT HEX 10-24 PLT	
9.	817-086C	SEED LEVEL BUSHING	
10.	801-045C	SCREW SET 1/4-28X1/4 KNL CUP	
11.	⊗ 817-350C	SEED LEVEL INDICATOR	Use with item 19.
	● 197-023H	INDICATOR OB RPLCD BY 817-350C	Use with item 10.
12.	818-295C	DECAL LETTER E	No longer available. Order part no. 838-237C.
13.	818-296C	DECAL LETTER F	No longer available. Order part no. 838-237C.
14.	801-096C	HFS 10-24 X 1 1/8 PLTD	
15.	197-089D	FOAM FLOAT	
16.	197-096D	FOAM FLOAT WASHER	
17.	804-075C	WASHER FLAT 1/4 USS PLT	
18.	803-003C	NUT HEX SS 1/4-20 NYLOCK	
19.	801-154C	SCR HEX HD SHT MET #8 X 1/2	
20.	838-237C	DECAL SEED LEVEL LH	

Legend: ● = 1st revision; ⊗ = 2nd revision; ⊕ = 3rd revision; ● = use up existing stock; ⊗ = not interchangeable; ⊗ ⊕ ⊗ = for example: revision 2 is not interchangeable w/revision 1

Light Kit



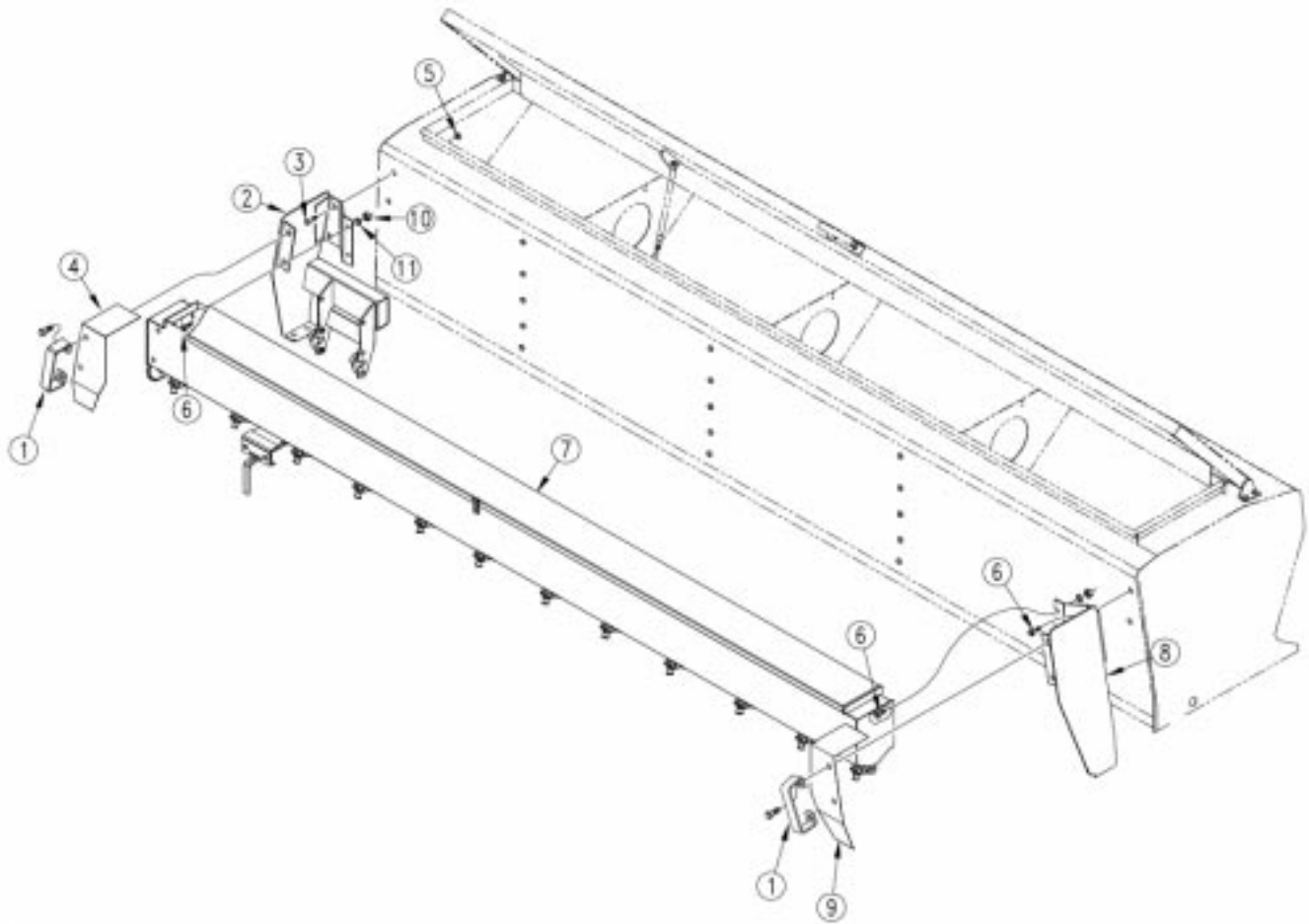
16581

Light Kit

Ref.	Part No.	Part Description	Comments
1.	119-190D	HANDLE	
2.	802-203C	HFSS 1/2-13X1 1/2 GR5	
3.	890-390C	LIGHT HARNESS, 10' WISHBONE	
4.	800-060C	CABLE TIE .19X14.25 3DIA 50LB	
5.	801-151C	SCR HEX SELF TAP 1/4-20X1TYPEF	
6.	890-311C	DUAL AG LIGHTS	Left hand
	890-312C	DUAL AG LIGHTS	Right hand
7.	150-138D	12' EWNT LIGHT BRACKET	
8.	890-391C	LIGHT HARNESS, 15' LEAD	
9.	803-169C	NUT HEX FLG. LOCK 1/2-13 PLT.	

Legend: ① = 1st revision; ② = 2nd revision; ③ = 3rd revision; ● = use up existing stock; ⊗ = not interchangeable; ⊗ ① ② = for example: revision 2 is not interchangeable w/revision 1

Small Seeds Box Mounting



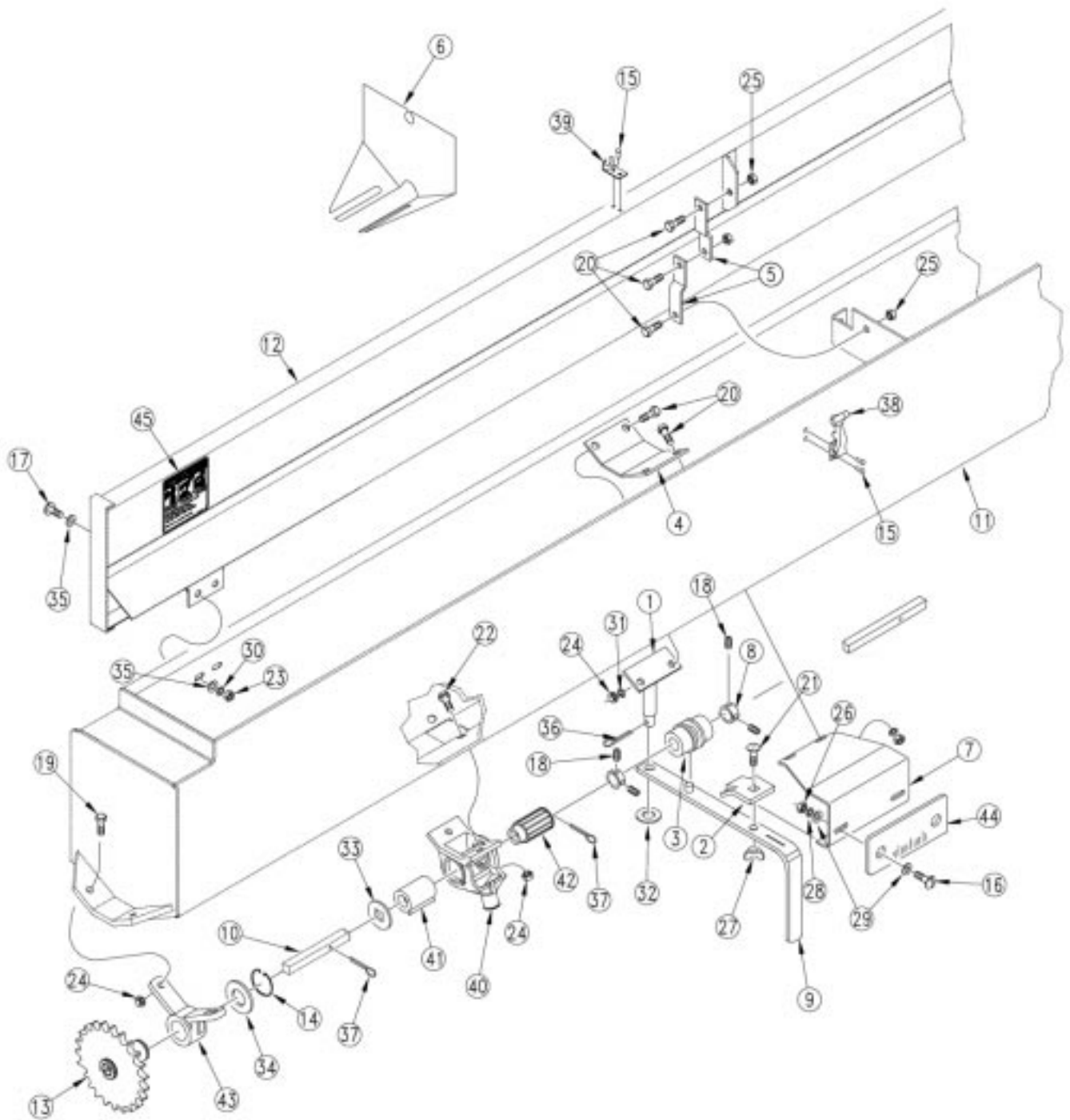
16591

Small Seeds Box Mounting

Ref.	Part No.	Part Description	Comments
1.	119-190D	HANDLE	
2.	133-070K	1300 SML SDS MNT LH ASY	
3.	802-034C	HHCS 1/2-13X1 1/4 GR5	
4.	123-491D	HANDLE MOUNT LH CHAIN GUARD	
5.	803-169C	NUT HEX FLG. LOCK 1/2-13 PLT.	
6.	802-388C	HFS 3/8-16X1 GR5	
7.	133-067L	13' SML SDS BOX ASSY 6 IN	
	133-068L	13' SML SDS BOX ASSY 7.5 IN	
	133-069L	13' SML SDS BOX ASSY 10 IN	
8.	133-066H	1300 SML SDS BOX MOUNT RH	
9.	123-492D	HANDLE MOUNT RH CHAIN GUARD	
10.	803-014C	NUT HEX 3/8-16 PLT	
11.	804-013C	WASHER LOCK SPRING 3/8 PLT	

Legend: ● = 1st revision; ● = 2nd revision; ● = 3rd revision; ● = use up existing stock; ⊗ = not interchangeable; ⊗ ① ● = for example: revision 2 is not interchangeable w/revision 1

Small Seeds Box Components



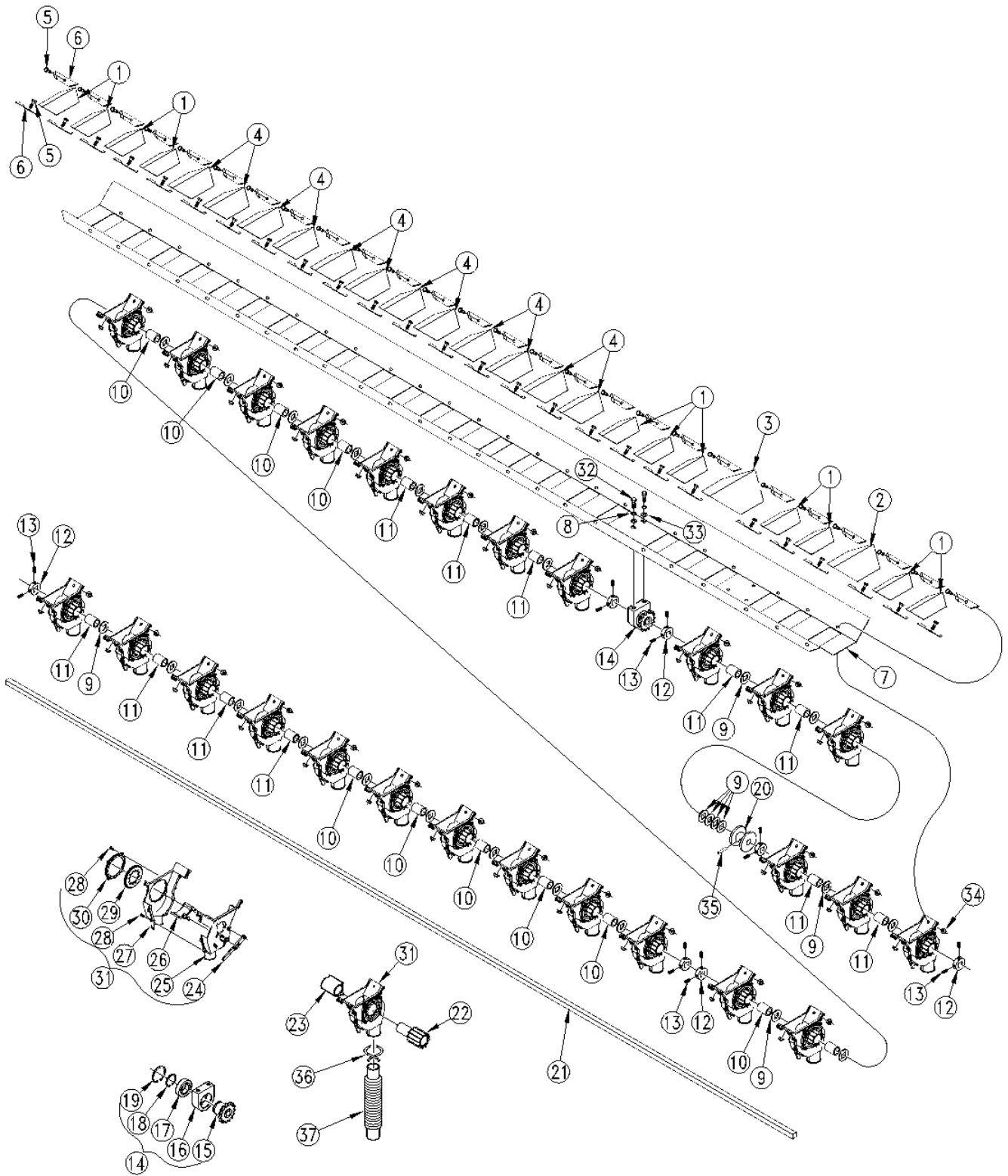
16593

Small Seeds Box Components

Ref.	Part No.	Part Description	Comments
1.	123-050H	ADJUSTMENT HANDLE PIVOT	
2.	123-113D	LOCK TAB	
3.	123-116D	SEED ADJUSTMENT SPOOL	
4.	123-118D	SEED ADJUSTMENT SUPPORT	
5.	123-356D	10' EWNT SGS LID LATCH	
6.	123-409D	RMVBL SMALL SEED BOX PARTITION	
7.	123-410D	GAUGE MOUNTING BRACKET	
8.	890-349C	3/8 SHAFT LOCKING COLLAR	
9.	123-476H	REAR SEED RATE ADJ HANDLE WLD	
10.	123-575D	SML SDS CUP SHAFT 6 IN	
	123-576D	SML SDS CUP SHAFT 7.5 IN	
	123-577D	SML SDS CUP SHAFT 10 IN	
11.	133-061H	13' SML SDS BOX 6 IN	
	133-062H	13' SML SDS BOX 7.5 IN	
	133-063H	13' SML SDS BOX 10 IN	
12.	133-064H	13' SML SDS LID	
13.	123-834H	SML SDS DRIVE SPKT HUB 27T	
14.	800-028C	SNAP RING .875	
15.	800-101C	RIVET POP 1/8 .125 AD42BSLF	
16.	801-001C	SCREW RD HD 8-32 X 3/8 BRASS	
17.	801-003C	SCREW RD HD SLT 10-24X1/2 PLT	
18.	801-035C	SCREW SET 5/16-18 SKT KP X 3/8	
19.	802-004C	HHCS 1/4-20X3/4 GR5	
20.	802-078C	HHCS 1/4-20X5/8 GR5	
21.	802-092C	RHSNB 5/16-18X3/4 GR5	
22.	802-148C	HFSS 1/4-20X1/2 GR5	
23.	803-001C	NUT HEX 10-24 PLT	
24.	803-006C	NUT HEX 1/4-20 PLT	
25.	803-007C	NUT LOCK 1/4-20 PLT	
26.	803-035C	NUT HEX 8-32 BRASS	
27.	803-058C	NUT WING 5/16-18	
28.	804-002C	WASHER INTERNAL STAR #8 BRASS	
29.	804-003C	WASHER FLAT #8 BRASS	
30.	804-004C	WASHER INTERNAL STAR #10 PLT	
31.	804-006C	WASHER LOCK SPRING 1/4 PLT	
32.	804-012C	WASHER FLAT 3/8 SAE PLT	
33.	804-042C	WASHER GRASS SEEDER CUP SHAFT	
34.	804-044C	WASHER MACH 1.38 X .876 X .048	
35.	804-046C	WASHER FLAT #10 SAE PLT	
36.	805-019C	PIN COTTER 5/32 X 1 PLT	
37.	805-067C	PIN COTTER 1/8 X 3/4	
38.	816-112C	RUBBER LATCH 37-11-065-10	
39.	816-113C	LATCH KEEPER 37-15-061-17	
40.	⊗ 817-504C	SML SEED FEEDER CUP ASSY	(S/N CC1461+)
	Ⓜ 817-008C	GRASS SEEDER CUP ASSEMBLY	(S/N CC1460-)
41.	817-009C	GRASS SEEDER SLEEVE	
42.	817-010C	GRASS SEEDER SPROCKET	
43.	817-026C	DRIVE SPROCKET HANGER BEARING	
44.	819-041C	SEED ADJUSTMENT GAUGE	
45.	838-467C	DECAL SMALL SEEDS DANGER	

Legend: ● = 1st revision; ⊗ = 2nd revision; ⊕ = 3rd revision; ● = use up existing stock; ⊗ = not interchangeable; ⊗ ⊕ ● = for example: revision 2 is not interchangeable w/revision 1

6" Feeder Cup Spacing



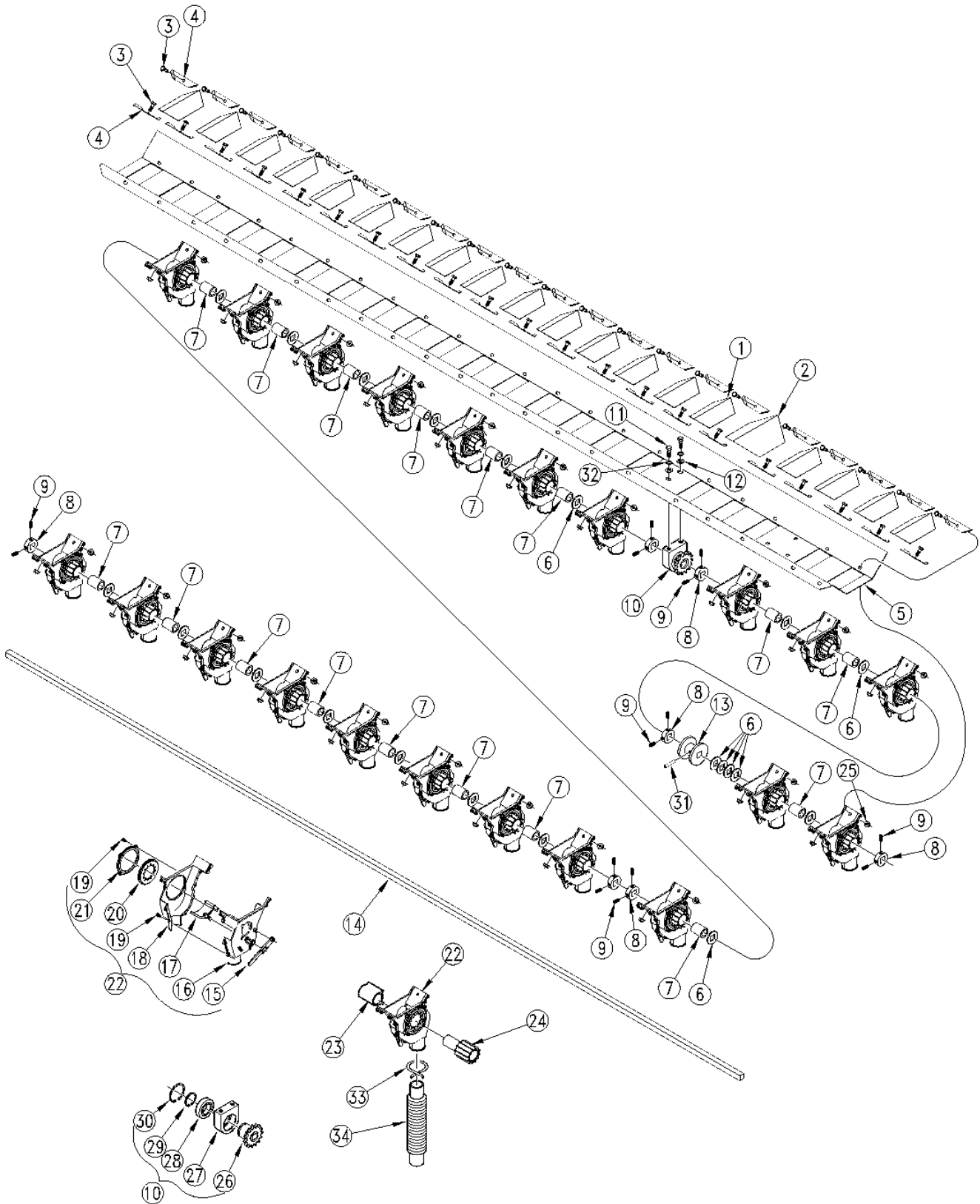
16583

6" Feeder Cup Spacing

Ref.	Part No.	Part Description	Comments
1.	118-431D	3 BOX DIVIDER FOR 4 7/8 ROW	
2.	118-437D	5 1/8 BOX DIVIDER FOR 7 ROW	
3.	118-432D	6 5/8 BOX DVDER FOR 8 1/2 ROW	
4.	118-433D	4 BOX DIVIDER FOR 5 7/8 ROW	
5.	802-004C	HHCS 1/4-20X3/4 GR5	
6.	118-341D	2SNT SEED BOX DIVIDER CLIP	
7.	175-278D	13' EW FEED CUP TRAY 6.0"	
8.	804-012C	WASHER FLAT 3/8 SAE PLT	
9.	804-031C	WASHER RETAINING	
10.	152-044D	2.454 FEEDER CUP SPACER	
11.	118-434D	SPACER TUBE X 1.454	
12.	890-350C	5/8 SHAFT LOCKING COLLAR	
13.	801-035C	SCREW SET 5/16-18 SKT KP X 3/8	
14.	118-226S	FEEDER CUP BEARING ASSEMBLY	
15.	118-508D	BEARING HUB 40A15	
16.	118-336D	FEEDER CUP BEARING HOUSING	
17.	822-103C	BRG 30MM B X 55MM OD	
18.	800-004C	SNAP RING EXT BASIC 1.880	
19.	800-107C	SNAP RING INT 2.165	
20.	109-091D	MACHINED ADJUSTMENT SPOOL	
21.	175-233D	13' EW FD CUP SQ DRIVE BAR	
22.	817-072C	REPLACED BY 890-190C	
23.	817-074C	SEED CUP SLEEVE	
24.	817-071C	SEED CUP ADJUSTMENT HANDLE	
25.	817-069C	SEED CUP RIGHT HALF	
26.	817-070C	SEED CUP DOOR	
27.	817-068C	SEED CUP LEFT HALF	
28.	801-057C	SCR SELF TAP 8X3/8 TYPE25 BT	
29.	817-004C	NYLON WASHER-SPLIT	
30.	817-073C	SEED CUP WASHER RETAINER	
31.	817-075C	SEED CUP ASSEMBLY	
32.	802-014C	HHCS 3/8-16X3/4 GR5	
33.	804-013C	WASHER LOCK SPRING 3/8 PLT	
34.	803-194C	NUT HEX WHIZ 1/4-20 PLT	
35.	805-023C	PIN ROLL 3/16X1 1/4 PLT	
36.	800-009C	CLAMP HOSE 1 5/8 NO. 26	
37.	816-002C	RUBBER GRAIN TUBE	

Legend: ● = 1st revision; ● = 2nd revision; ● = 3rd revision; ● = use up existing stock; ⊗ = not interchangeable; ⊗ ① ● = for example: revision 2 is not interchangeable w/revision 1

7.5" Feeder Cup Spacing



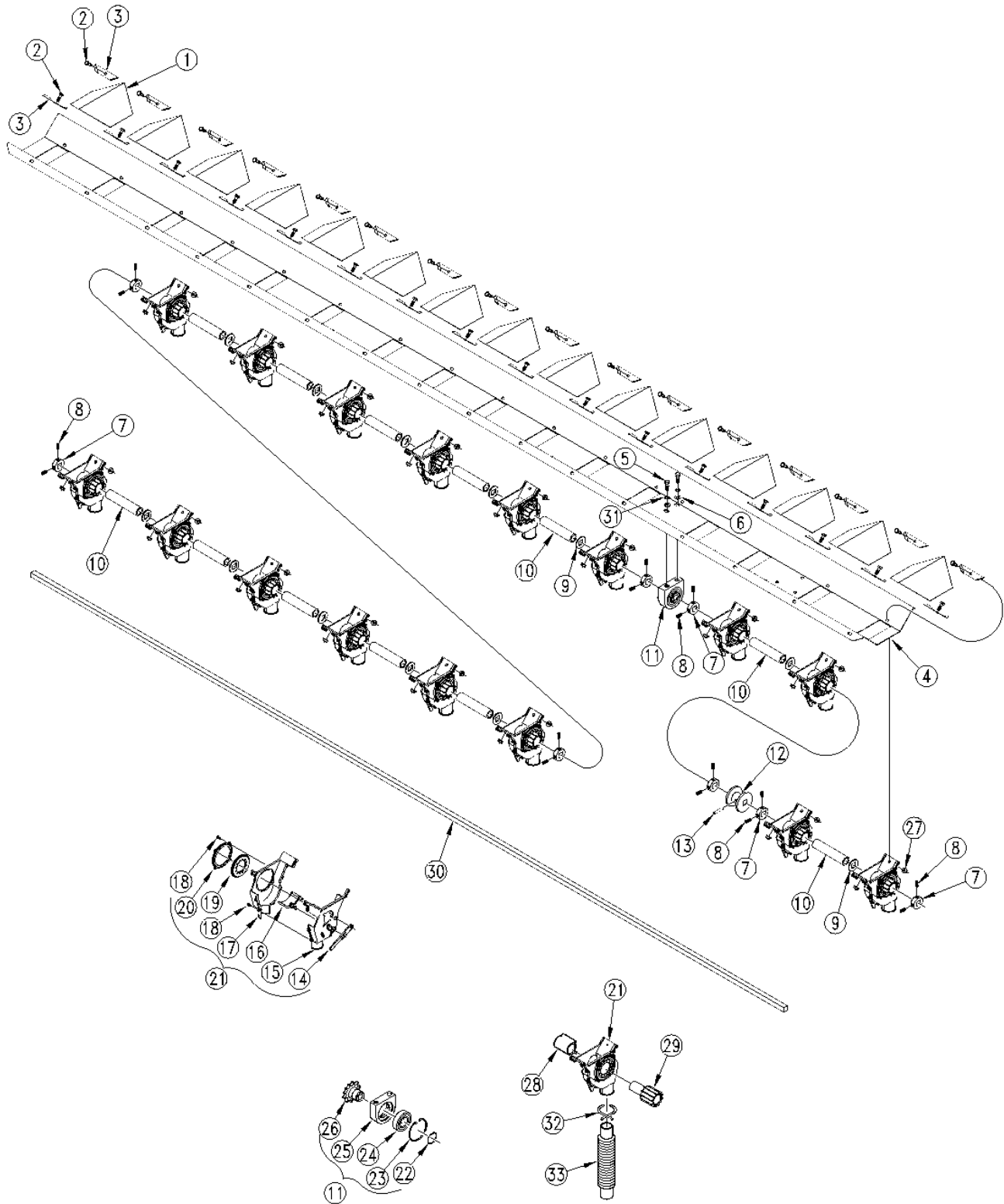
16584

7.5" Feeder Cup Spacing

Ref.	Part No.	Part Description	Comments
1.	118-437D	5 1/8 BOX DIVIDER FOR 7 ROW	
2.	118-432D	6 5/8 BOX DVDER FOR 8 1/2 ROW	
3.	802-004C	HHCS 1/4-20X3/4 GR5	
4.	118-341D	2SNT SEED BOX DIVIDER CLIP	
5.	175-234D	13' EW FEED CUP TRAY 7.5	
6.	804-031C	WASHER RETAINING	
7.	118-438D	SPACER TUBE X 3.579	
8.	890-350C	5/8 SHAFT LOCKING COLLAR	
9.	801-035C	SCREW SET 5/16-18 SKT KP X 3/8	
10.	118-226S	FEEDER CUP BEARING ASSEMBLY	
11.	802-014C	HHCS 3/8-16X3/4 GR5	
12.	804-012C	WASHER FLAT 3/8 SAE PLT	
13.	109-091D	MACHINED ADJUSTMENT SPOOL	
14.	175-233D	13' EW FD CUP SQ DRIVE BAR	
15.	817-071C	SEED CUP ADJUSTMENT HANDLE	
16.	817-069C	SEED CUP RIGHT HALF	
17.	817-070C	SEED CUP DOOR	
18.	817-068C	SEED CUP LEFT HALF	
19.	801-057C	SCR SELF TAP 8X3/8 TYPE25 BT	
20.	817-004C	NYLON WASHER-SPLIT	
21.	817-073C	SEED CUP WASHER RETAINER	
22.	817-075C	SEED CUP ASSEMBLY	
23.	817-074C	SEED CUP SLEEVE	
24.	890-190C	PM SEED CUP SPROCKET	
25.	803-194C	NUT HEX WHIZ 1/4-20 PLT	
26.	118-508D	BEARING HUB 40A15	
27.	118-336D	FEEDER CUP BEARING HOUSING	
28.	822-103C	BRG 30MM B X 55MM OD	
29.	800-004C	SNAP RING EXT BASIC 1.880	
30.	800-107C	SNAP RING INT 2.165	
31.	805-023C	PIN ROLL 3/16X1 1/4 PLT	
32.	804-013C	WASHER LOCK SPRING 3/8 PLT	
33.	800-009C	CLAMP HOSE 1 5/8 NO. 26	
34.	816-002C	RUBBER GRAIN TUBE	

Legend: ● = 1st revision; ● = 2nd revision; ● = 3rd revision; ● = use up existing stock; ⊗ = not interchangeable; ⊗ ① ● = for example: revision 2 is not interchangeable w/revision 1

10" Feeder Cup Spacing



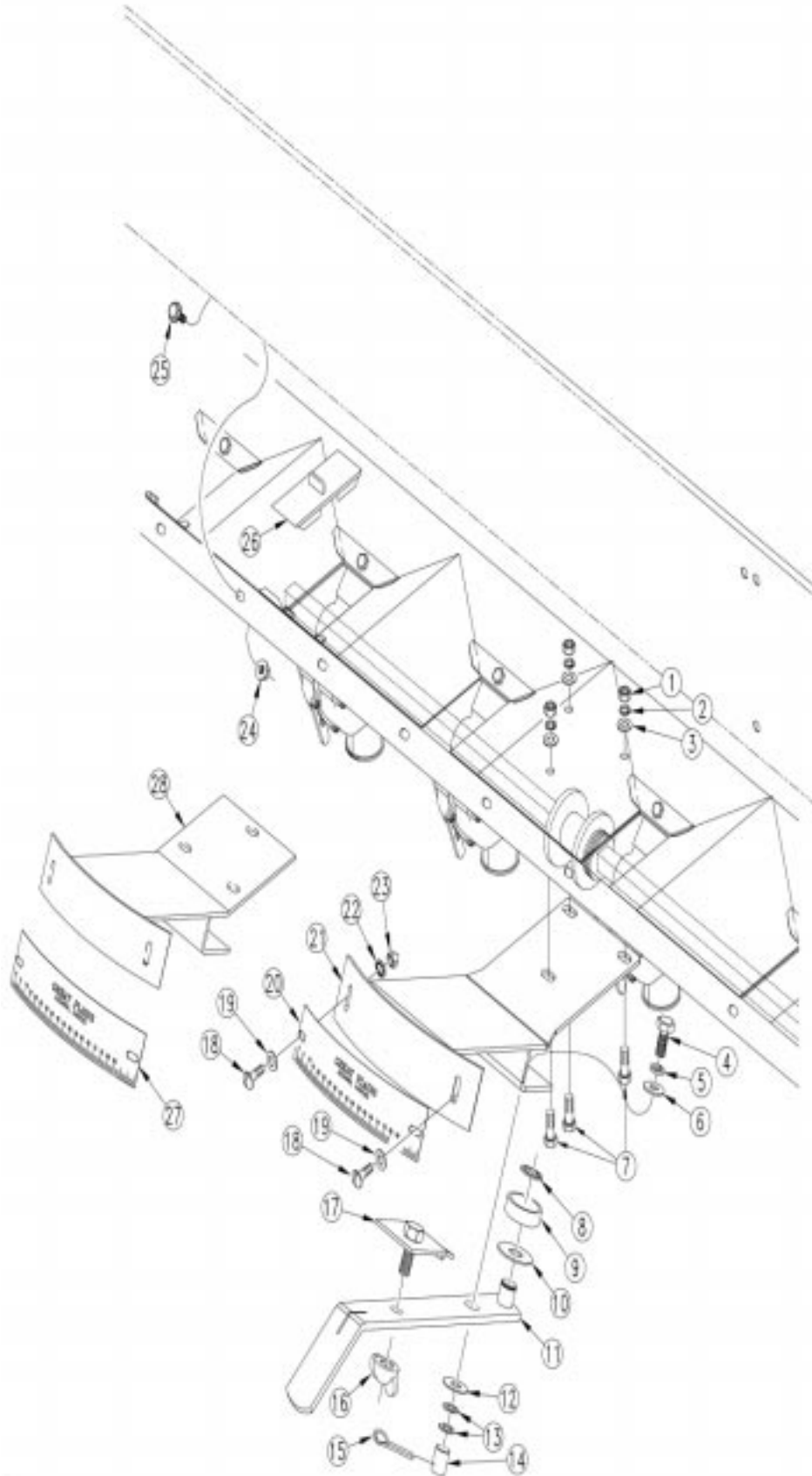
16585

10" Feeder Cup Spacing

Ref.	Part No.	Part Description	Comments
1.	118-338D	7 1/4 BOX DVDR FOR 7 1/2 ROW	
2.	802-004C	HHCS 1/4-20X3/4 GR5	
3.	118-341D	2SNT SEED BOX DIVIDER CLIP	
4.	175-279D	13' EW FEED CUP TRAY 10.0"	
5.	802-014C	HHCS 3/8-16X3/4 GR5	
6.	804-012C	WASHER FLAT 3/8 SAE PLT	
7.	890-350C	5/8 SHAFT LOCKING COLLAR	
8.	801-035C	SCREW SET 5/16-18 SKT KP X 3/8	
9.	804-031C	WASHER RETAINING	
10.	175-280D	13' EW SPACER TUBE X 5.704	
11.	118-226S	FEEDER CUP BEARING ASSEMBLY	
12.	109-091D	MACHINED ADJUSTMENT SPOOL	
13.	805-023C	PIN ROLL 3/16X1 1/4 PLT	
14.	817-071C	SEED CUP ADJUSTMENT HANDLE	
15.	817-069C	SEED CUP RIGHT HALF	
16.	817-070C	SEED CUP DOOR	
17.	817-068C	SEED CUP LEFT HALF	
18.	801-057C	SCR SELF TAP 8X3/8 TYPE25 BT	
19.	817-004C	NYLON WASHER-SPLIT	
20.	817-073C	SEED CUP WASHER RETAINER	
21.	817-075C	SEED CUP ASSEMBLY	
22.	800-107C	SNAP RING INT 2.165	
23.	800-004C	SNAP RING EXT BASIC 1.880	
24.	822-103C	BRG 30MM B X 55MM OD	
25.	118-336D	FEEDER CUP BEARING HOUSING	
26.	118-508D	BEARING HUB 40A15	
27.	803-194C	NUT HEX WHIZ 1/4-20 PLT	
28.	817-074C	SEED CUP SLEEVE	
29.	890-190C	PM SEED CUP SPROCKET	
30.	175-233D	13' EW FD CUP SQ DRIVE BAR	
31.	804-013C	WASHER LOCK SPRING 3/8 PLT	
32.	800-009C	CLAMP HOSE 1 5/8 NO. 26	
33.	816-002C	RUBBER GRAIN TUBE	

Legend: ● = 1st revision; ● = 2nd revision; ● = 3rd revision; ● = use up existing stock; ⊗ = not interchangeable; ⊗ ① ● = for example: revision 2 is not interchangeable w/revision 1

Adjustment Handle



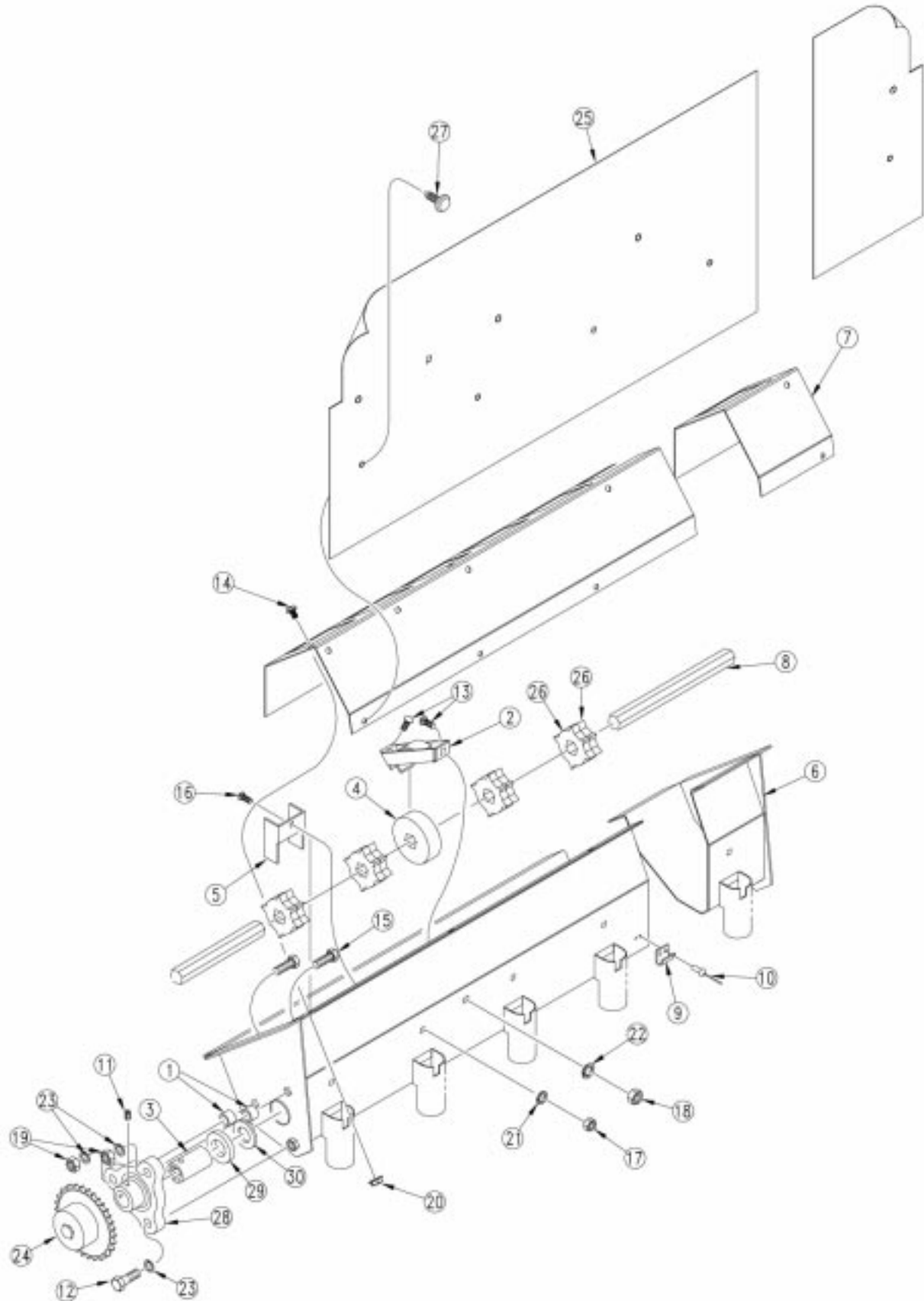
16676

Adjustment Handle

Ref.	Part No.	Part Description	Comments
1.	803-008C	NUT HEX 5/16-18 PLT	
2.	804-009C	WASHER LOCK SPRING 5/16 PLT	
3.	804-036C	WASHER FLAT 5/16 SAE PLT	
4.	802-014C	HHCS 3/8-16X3/4 GR5	
5.	804-013C	WASHER LOCK SPRING 3/8 PLT	
6.	804-012C	WASHER FLAT 3/8 SAE PLT	
7.	802-007C	HHCS 5/16-18X3/4 GR5	
8.	800-003C	SNAP RING EXT 17 MM	
9.	822-008C	BEARING ADJ HANDLE 6203 2RS	
10.	804-001C	WASHER ADJ HANDLE BRG	
11.	118-443H	SEED RATE ADJ HANDLE WLDMNT	
12.	804-021C	WASHER FLAT 5/8 SAE PLT	
13.	804-040C	WASHER MACH 1.00 X .625 X 18GA	
14.	109-069D	ADJUSTMENT HANDLE PIVOT	
15.	805-016C	PIN COTTER 3/16 X 1 1/4 PLT	
16.	803-016C	NUT WING 1/2-13 PLT	
17.	109-025H	ADJ LOCK PLATE ASS'Y - 1 1/2 W	
18.	801-001C	SCREW RD HD 8-32 X 3/8 BRASS	
19.	804-003C	WASHER FLAT #8 BRASS	
20.	819-001C	NAME PLATE ADJ GAUGE LONG	
21.	118-444H	SEED RATE ADJ WLDMNT	
22.	804-002C	WASHER INTERNAL STAR #8 BRASS	
23.	803-035C	NUT HEX 8-32 BRASS	
24.	803-088C	NUT HEX LOCK 1/4-20 FLG	
25.	802-196C	HFSS 1/4-20X5/8 GR5	
26.	817-087C	1 3/4 WIDE FEEDER CUP PLUG	

Legend: ● = 1st revision; ● = 2nd revision; ● = 3rd revision; ● = use up existing stock; ⊗ = not interchangeable; ⊗ ① ● = for example: revision 2 is not interchangeable w/revision 1

Fertilizer Tray



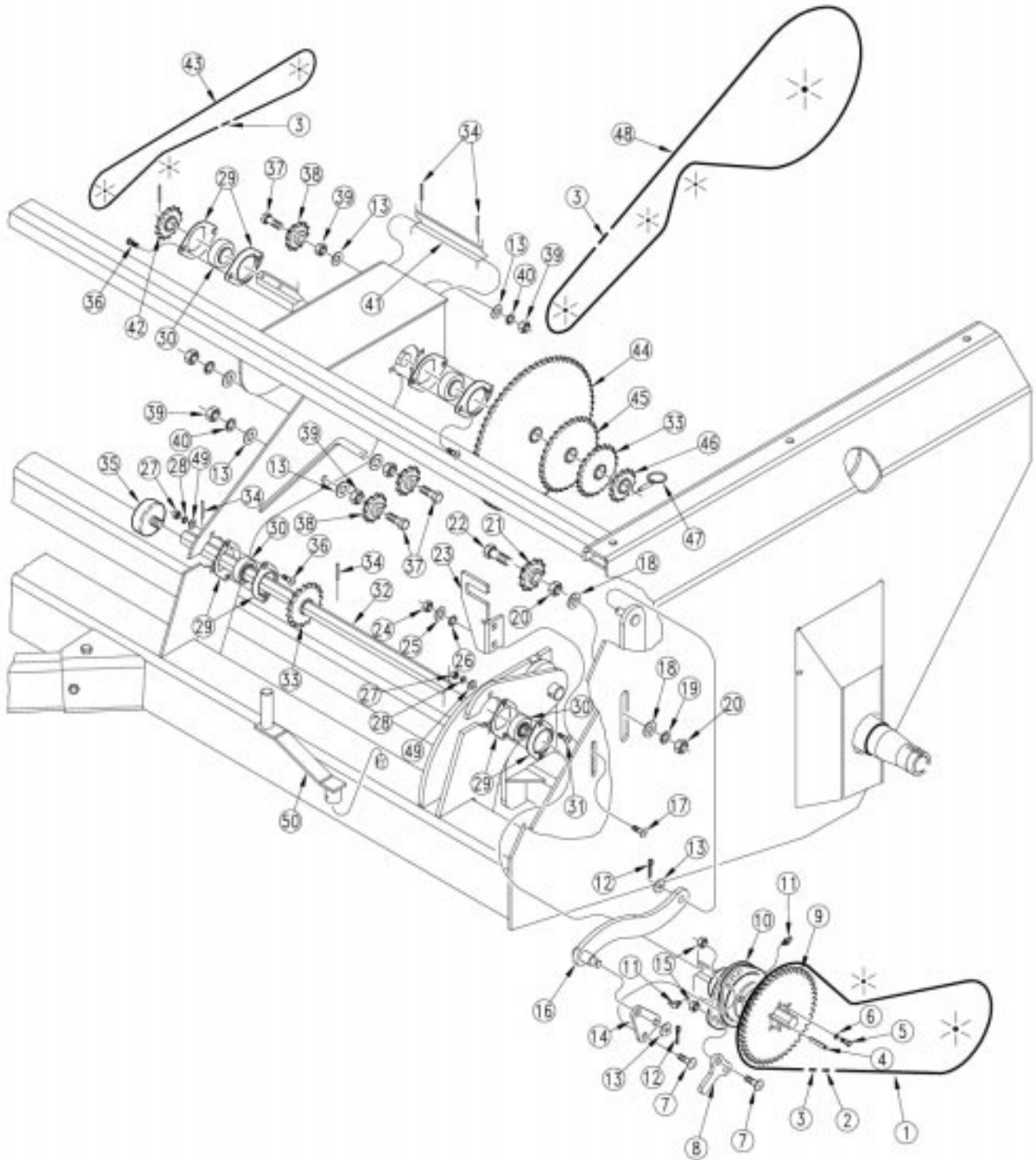
16464

Fertilizer Tray

Ref.	Part No.	Part Description	Comments
1.	141-084D	TRAY BEARING SPACER	
2.	175-102H	13' EW FERT BEARING RETAINER	
3.	191-001D	MF FERT .75 HEX BORE BUSHING	
4.	191-002D	MF FERT HEX BORE PLASTIC BUSH	
5.	191-018D	MF FERT STAR RETAINER SIDE PLT	
6.	175-183H	1300 FERT TRAY WELDMENT 6	
	175-182H	1300 FERT TRAY WELDMENT 7 1/2	
	175-184H	1300 FERT TRAY WELDMENT 10	
7.	175-338D	1300 FERT TRAY ADAPTER PANEL	
8.	175-341D	1300 AGITATOR SHAFT	
9.	800-032C	LATCH STRIKE	
10.	800-012C	RIVET SS 1/8 DIA	
11.	801-009C	SCREW SET 1/4-28 SH X 1/2 LG	
12.	802-079C	HHCS 3/8-16X1 1/4 GR5	
13.	802-092C	RHSNB 5/16-18X3/4 GR5	
14.	802-148C	HFSS 1/4-20X1/2 GR5	
15.	802-252C	RHSNB 3/8-16X1 3/4 GR5	
16.	802-633C	RHSNB 1/4-20X5/8 PLT	
17.	803-006C	NUT HEX 1/4-20 PLT	
18.	803-008C	NUT HEX 5/16-18 PLT	
19.	803-014C	NUT HEX 3/8-16 PLT	
20.	803-088C	NUT HEX LOCK 1/4-20 FLG	
21.	804-006C	WASHER LOCK SPRING 1/4 PLT	
22.	804-009C	WASHER LOCK SPRING 5/16 PLT	
23.	804-013C	WASHER LOCK SPRING 3/8 PLT	
24.	808-086C	SPKT 40B30 X 3/4 HEXBORE W/ SS	
25.	816-292C	VINYL FERT DEW SHIELD 13 EW	
26.	817-053C	6 POINT FERT METERING WHEEL	
27.	817-323C	NYLON RATCHET FASTENER	
28.	822-083C	BEARING 3-HOLE FLANGE 1 1/4	
29.	890-026C	FELT SEAL	
30.	804-048C	WASHER MACH 2.50 X1.75 X .075	

Legend: ● = 1st revision; ● = 2nd revision; ● = 3rd revision; ● = use up existing stock; ⊗ = not interchangeable; ⊗ ① ● = for example: revision 2 is not interchangeable w/revision 1

Jackshaft Drive



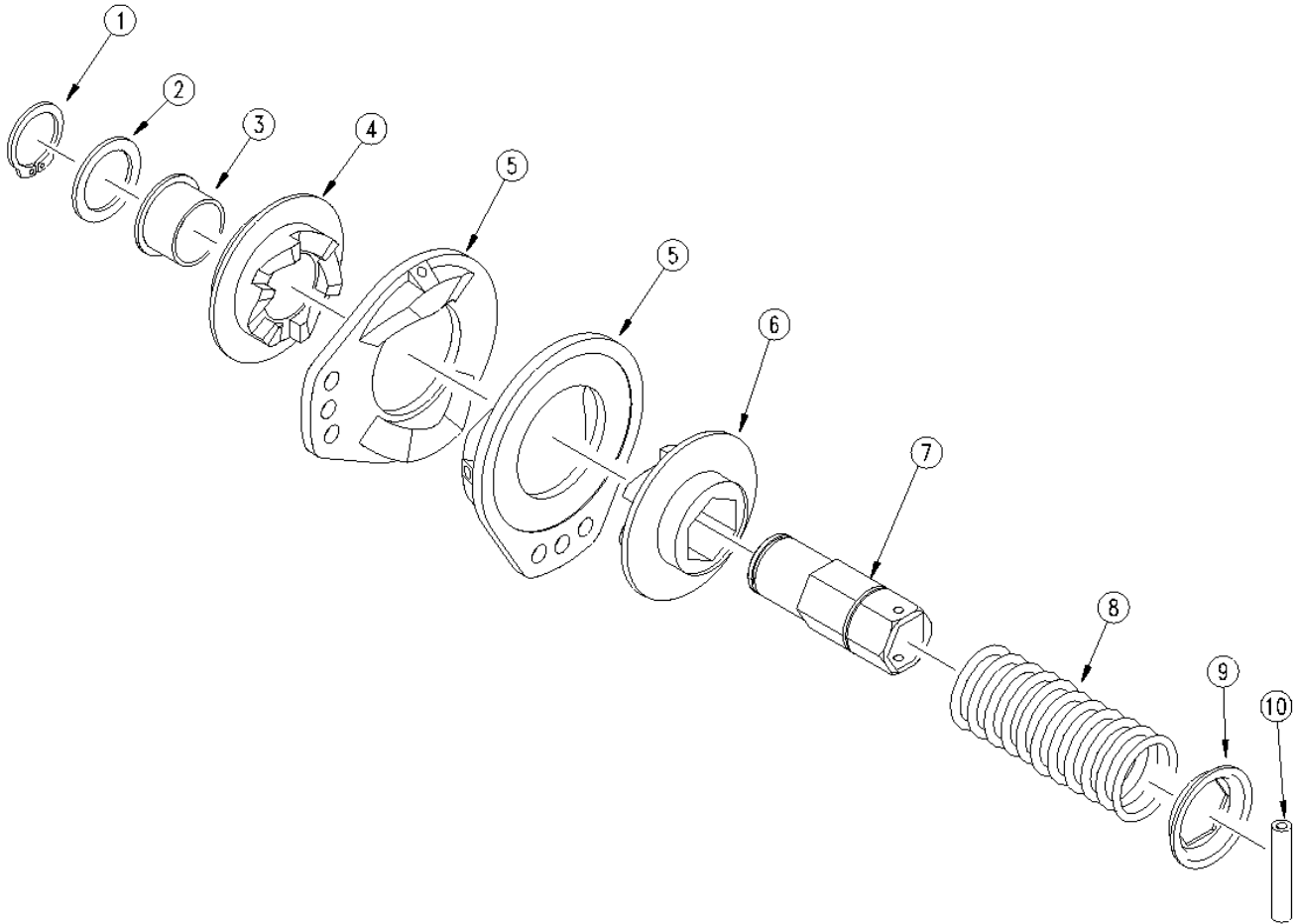
16586

Jackshaft Drive

Ref.	Part No.	Part Description	Comments
1.	136-025D	CHAIN RL #40 147 PITCHES	
2.	809-070C	CHAIN CONNECTOR LINK #40 OFFST	
3.	809-096C	#40 CONNECTOR LINK-PLATED	
4.	805-026C	PIN ROLL 1/4 X 3/4 PLT	
5.	801-070C	HSHCS 1/4-20X3/4	
6.	804-006C	WASHER LOCK SPRING 1/4 PLT	
7.	802-015C	RHSNB 3/8-16X1 GR5	
8.	152-338D	12'EWNT CLUTCH TAB	
9.	808-254C	SPKT 40A47 X 1.75 MAX BORE	
10.	176-043S	JAW CLUTCH CCW EXT 7/8 HEX	Refer to page 6-3
11.	800-058C	GREASE ZERK 1/4-28 X 45-DEG	
12.	805-109C	PIN COTTER 1/8 X 1 1/4 PLT	
13.	804-016C	WASHER FLAT 1/2 SAE PLT	
14.	175-305D	13' EW CLUTCH PULL TAB	
15.	803-215C	NUT NYLOCK JAM THIN 3/8-16 PLT	
16.	175-156H	13' EW CLUTCH LINK BAR WLDMT	
17.	802-155C	RHSNB 3/8-16X1 1/4 GR5	
18.	804-021C	WASHER FLAT 5/8 SAE PLT	
19.	804-022C	WASHER LOCK SPRING 5/8 PLT	
20.	803-021C	NUT HEX 5/8-11 PLT	
21.	808-046C	SPKT 40A17 IDLER	
22.	802-057C	HHCS 5/8-11X2 1/4 GR5	
23.	175-303D	13' EW CLUTCH BRACKET	
24.	803-014C	NUT HEX 3/8-16 PLT	
25.	804-012C	WASHER FLAT 3/8 SAE PLT	
26.	804-013C	WASHER LOCK SPRING 3/8 PLT	
27.	803-008C	NUT HEX 5/16-18 PLT	
28.	804-009C	WASHER LOCK SPRING 5/16 PLT	
29.	822-032C	FLANGETTE 52 MST	
30.	822-119C	BRG.7/8HEX BR 52MM SPHRICAL OD	
31.	802-009C	RHSNB 5/16-18X1 1/4 GR5	
32.	175-357D	1300 MAIN FRAME JACK SHAFT	S/N CC1391+
	175-300D	13' EW MAIN FRAME JACK SHAFT	S/N CC1390-
33.	195-134H	SPKT 40B23T WITH 7/8 HEX HUB	
34.	805-180C	PIN ROLL 1/4 X 1 1/2 LG PLT	
35.	890-616C	ACREMEETER 13' 7.5LX20 131/ACRE	
36.	802-092C	RHSNB 5/16-18X3/4 GR5	
37.	802-039C	HHCS 1/2-13X3 GR5	
38.	817-025C	NO. 40 12T IDLER SPKT.	
39.	803-036C	NUT HEX JAM 1/2-13 PLT	
40.	804-015C	WASHER LOCK SPRING 1/2 PLT	
41.	175-301D	13' EW SPEED CHANGE JACK SHAFT	
42.	195-138H	SPKT 40B12T X 7/8 HEX BORE	
43.	136-027D	CHAIN RL #40 55 PITCHES	
44.	195-136H	SPKT 40B72T WITH 7/8 HEX HUB	
45.	195-135H	SPKT 40B34T WITH 7/8 HEX HUB	
46.	195-137H	SPKT 40B14T WITH 7/8 HEX HUB	
47.	805-240C	PIN LYNCH 3/16 X 1 9/16 LONG	
48.	136-026D	CHAIN RL #40 131 PITCHES	
49.	804-010C	WASHER FLAT 5/16 USS PLT	
50.	175-235H	CALIBRATION CRANK WELDMENT	S/N CC1391+

Legend: ● = 1st revision; ● = 2nd revision; ● = 3rd revision; ● = use up existing stock; ⊗ = not interchangeable; ⊗ ⊕ ● = for example: revision 2 is not interchangeable w/revision 1

Jaw Clutch (176-043S)



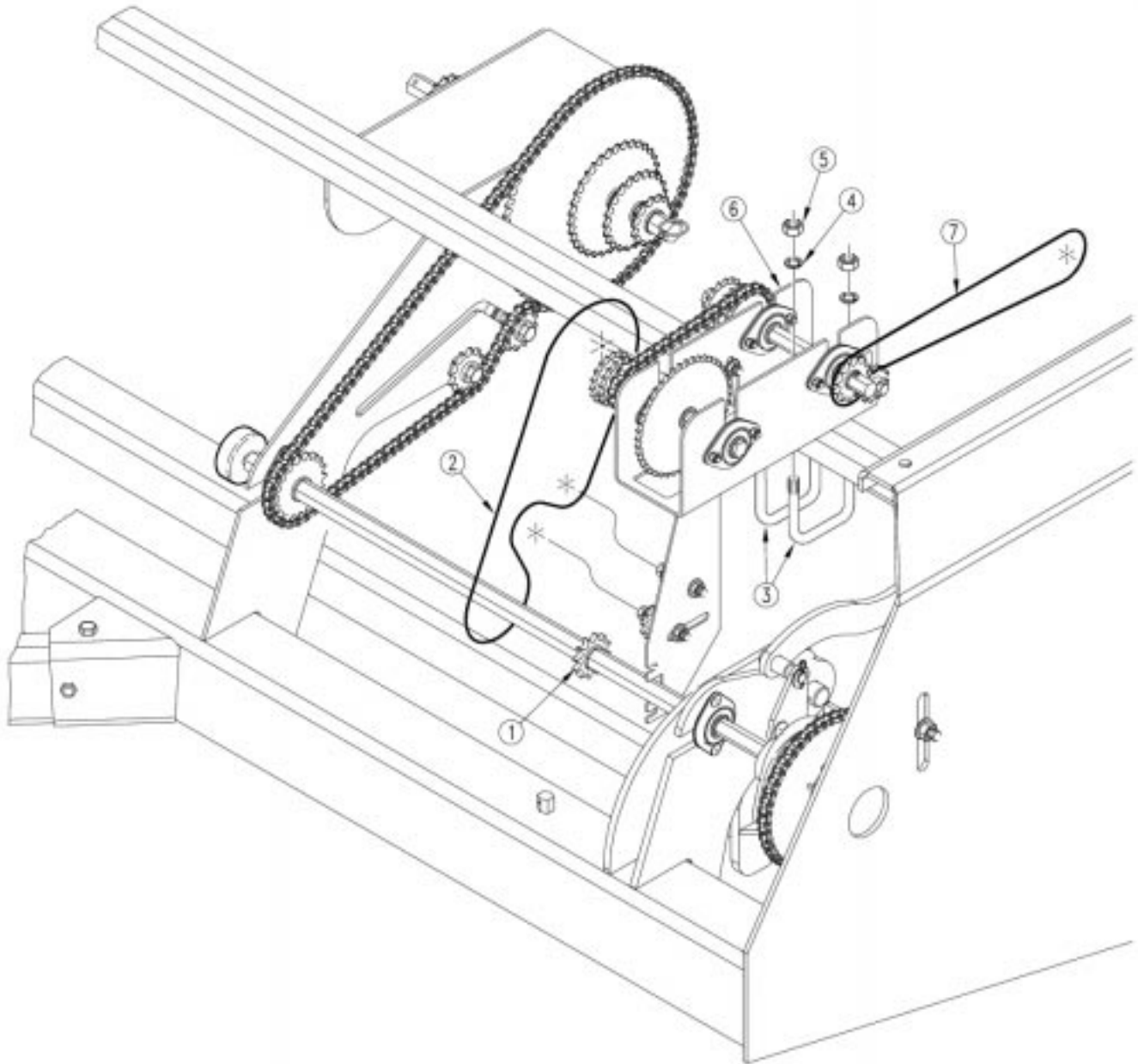
16668

Jaw Clutch (176-043S)

Ref.	Part No.	Part Description	Comments
1.	800-177C	SNAP RING EXT 1 1/4 HEAVY	
2.	176-065D	CLUTCH FRICTION WASHER	
3.	817-111C	BEARING 1 1/4 ID X 1 13/32 OD	
4.	176-079D	CLUTCH DRIVE PLATE LONG - CCW	
5.	176-080D	CLUTCH CAM PLATE	
6.	176-060D	CLUTCH SLIDE PLATE - CCW	
7.	176-084D	CLUTCH HUB 7/8 HEX BORE	
8.	807-097C	SPRING COMP 2 1/16 OD X 4 LG	
9.	176-066D	CLUTCH SPRING RETAINER	
10.	805-024C	PIN ROLL 3/16X 1 1/2 PLT	

Legend: ● = 1st revision; ● = 2nd revision; ● = 3rd revision; ● = use up existing stock; ⊗ = not interchangeable; ⊗ ① ● = for example: revision 2 is not interchangeable w/revision 1

Fertilizer Drive



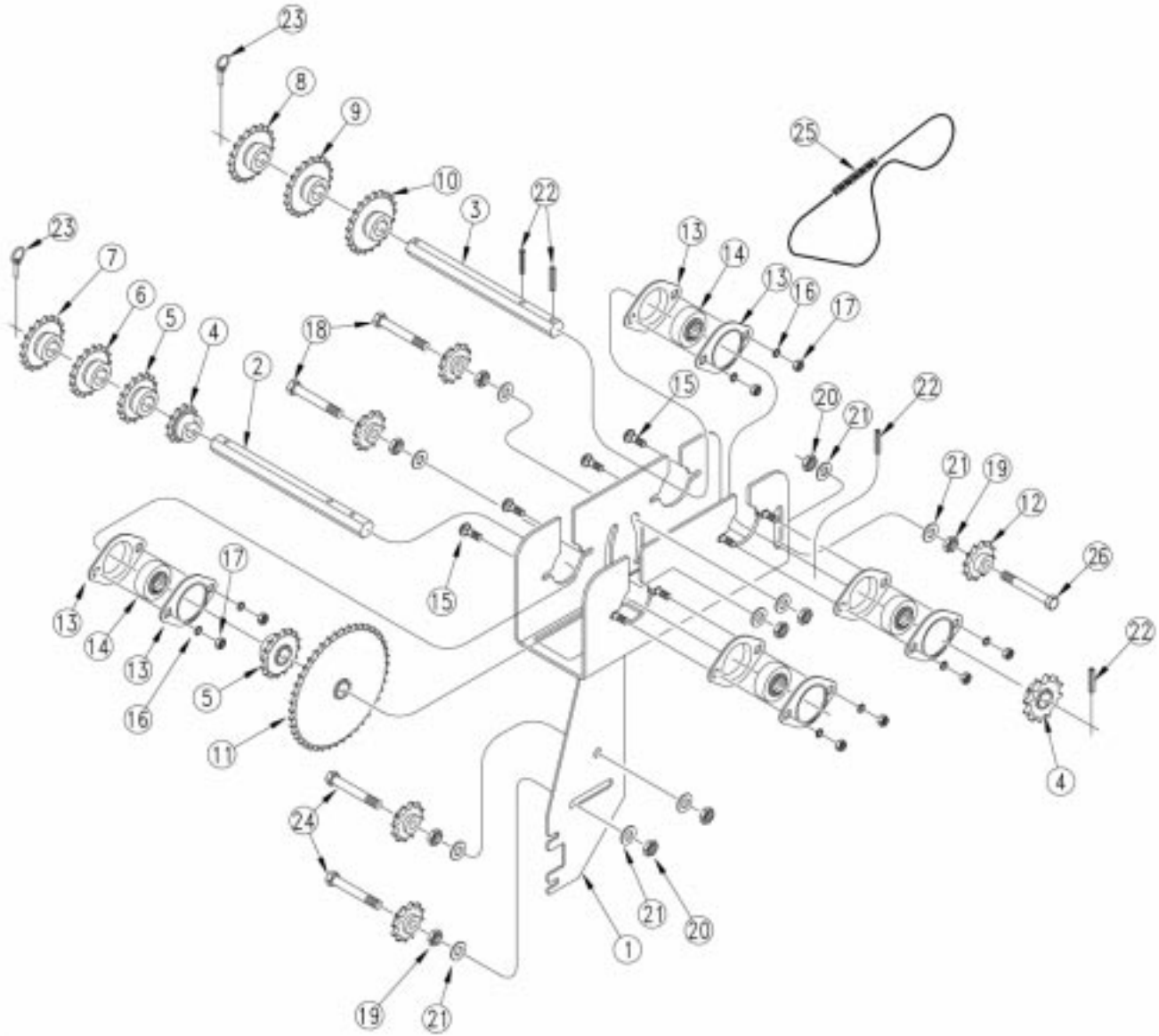
16587

Fertilizer Drive

Ref.	Part No.	Part Description	Comments
1.	808-143C	SPKT 40B12 7/8 HEX BORE W/SS	
2.	136-031D	CHAIN RL #40 90 PITCHES	
3.	806-005C	U-BOLT 1/2-13 X 2 X 3 GR 5	
4.	804-015C	WASHER LOCK SPRING 1/2 PLT	
5.	803-020C	NUT HEX 1/2-13 PLT	
6.	195-197S	FERT DRIVE SUB ASSEMBLY 13' EW	Refer to page 6-7
7.	136-033D	CHAIN RL #40 125 PITCHES	

Legend: ① = 1st revision; ② = 2nd revision; ③ = 3rd revision; ● = use up existing stock; ⊗ = not interchangeable; ⊗ ① ② = for example: revision 2 is not interchangeable w/revision 1

Fertilizer Drive Box



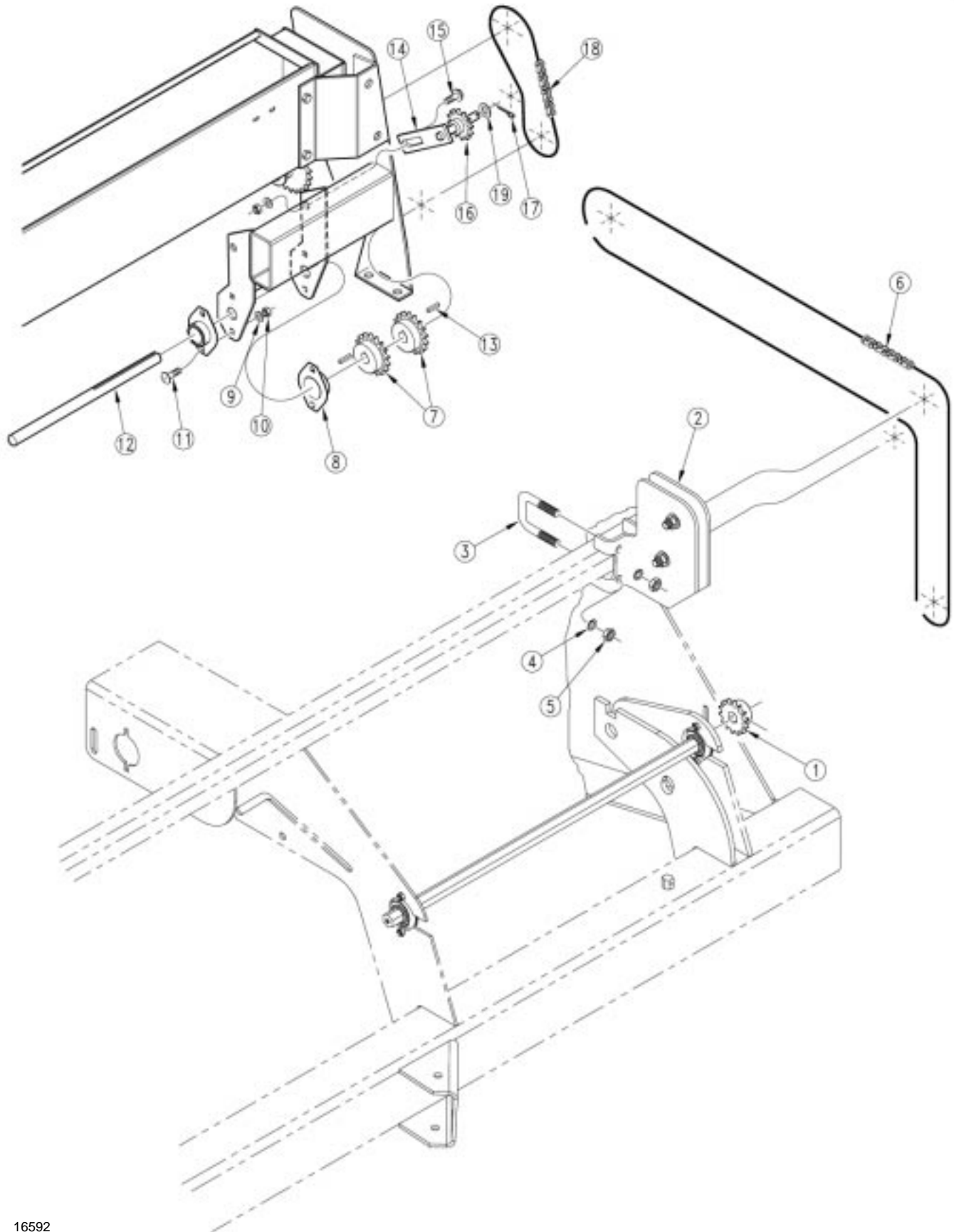
16589

Fertilizer Drive Box

Ref.	Part No.	Part Description	Comments
1.	175-185H	1300 FERT DRIVE WELDMENT	
2.	175-328D	1300 FERTILIZER JACKSHAFT 1	
3.	175-329D	1300 FERTILIZER JACKSHAFT 2	
4.	195-138H	SPKT 40B12T X 7/8 HEX BORE	
5.	195-153H	SPKT 40B16T X 7/8 HEX BORE	
6.	195-154H	SPKT 40B17T X 7/8 HEX BORE	
7.	195-155H	SPKT 40B18T X 7/8 HEX BORE	
8.	195-156H	SPKT 40B19T X 7/8 HEX BORE	
9.	195-157H	SPKT 40B20T X 7/8 HEX BORE	
10.	195-158H	SPKT 40B21T X 7/8 HEX BORE	
11.	195-159H	SPKT 40B44T X 7/8 HEX BORE	
12.	817-025C	NO. 40 12T IDLER SPKT.	
13.	822-032C	FLANGETTE 52 MST	
14.	822-119C	BRG.7/8HEX BR 52MM SPHRICAL OD	
15.	802-282C	RHSNB 5/16-18X1 GR5	
16.	804-009C	WASHER LOCK SPRING 5/16 PLT	
17.	803-008C	NUT HEX 5/16-18 PLT	
18.	802-099C	HHCS 1/2-13X3 1/4 GR5	
19.	803-036C	NUT HEX JAM 1/2-13 PLT	
20.	803-020C	NUT HEX 1/2-13 PLT	
21.	804-017C	WASHER FLAT 1/2 USS PLT	
22.	805-180C	PIN ROLL 1/4 X 1 1/2 LG PLT	
23.	805-240C	PIN LYNCH 3/16 X 1 9/16 LONG	
24.	802-311C	HHCS 1/2-13X4 1/4 GR5	
25.	136-028D	CHAIN RL #40 54 PITCHES	
26.	802-226C	HHCS 1/2-13X2 3/4 GR5	

Legend: ● = 1st revision; ● = 2nd revision; ● = 3rd revision; ● = use up existing stock; ⊗ = not interchangeable; ⊗ ① ● = for example: revision 2 is not interchangeable w/revision 1

Small Seeds Drive



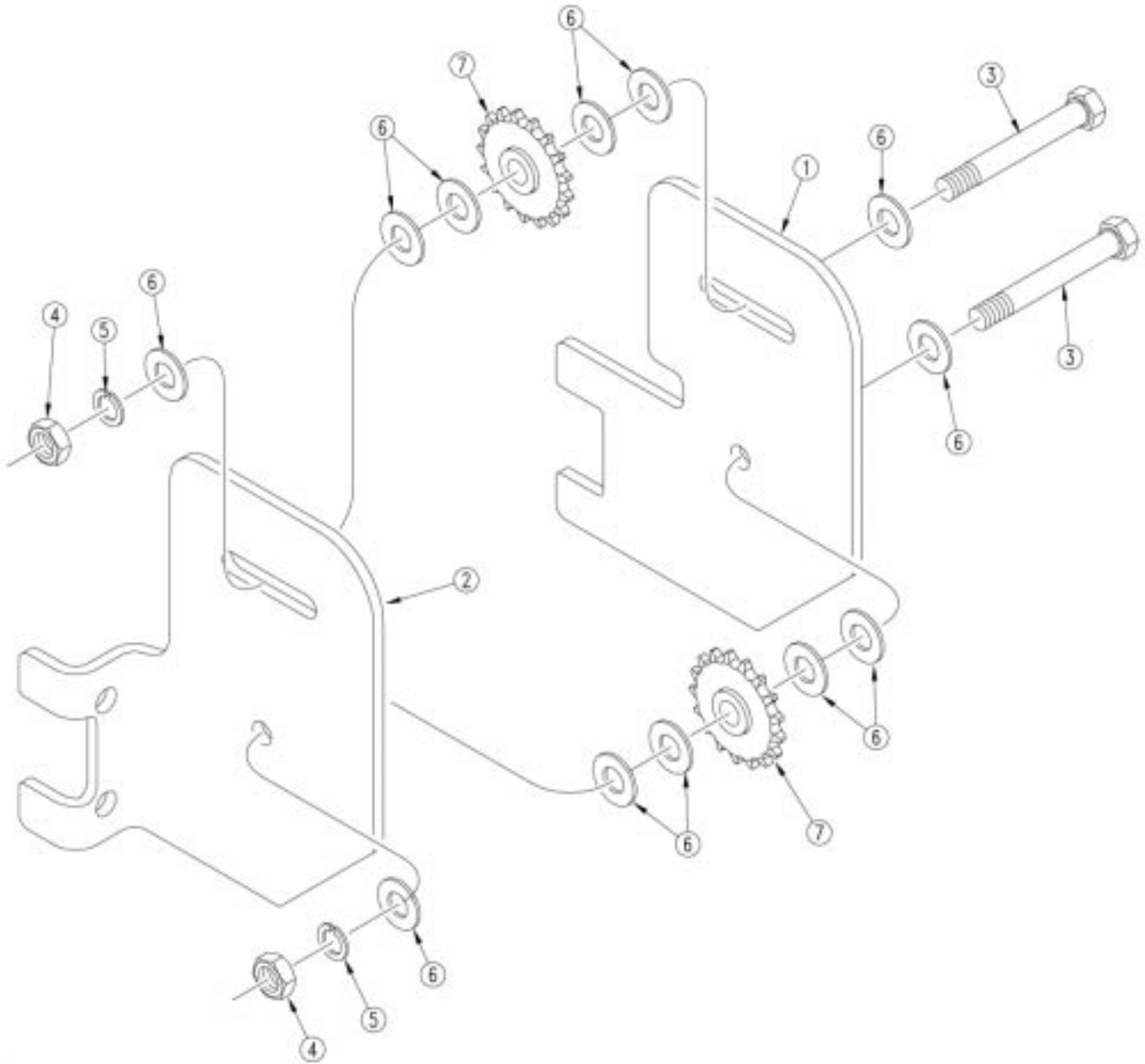
16592

Small Seeds Drive

Ref.	Part No.	Part Description	Comments
1.	808-270C	SPKT 40B18 7/8 HEX W/2SS	
2.	133-071K	1300 SML SDS IDLER MNT ASY	Refer to page 6-11 for breakdown.
3.	806-005C	U-BOLT 1/2-13 X 2 X 3 GR 5	
4.	804-015C	WASHER LOCK SPRING 1/2 PLT	
5.	803-020C	NUT HEX 1/2-13 PLT	
6.	136-030D	CHAIN RL #40 254 PITCHES	
7.	808-170C	SPKT 40B17 X 3/4BORE W/KW&SS	
8.	822-126C	BEARING 3/4 BORE FLUSH MOUNT	
9.	804-009C	WASHER LOCK SPRING 5/16 PLT	
10.	803-008C	NUT HEX 5/16-18 PLT	
11.	802-282C	RHSNB 5/16-18X1 GR5	
12.	133-024D	RND SHAFT 3/4 X 11 W/KW	
13.	168-127D	3/16 X 1 KEY	
14.	123-832H	SLOTTED IDLER ARM 1/2X 3 5/16	
15.	802-214C	RHSNB 1/2-13X1 1/4 GR5	
16.	817-025C	NO. 40 12T IDLER SPKT.	
17.	805-067C	PIN COTTER 1/8 X 3/4	
18.	136-036D	CHAIN RL #40 70 PITCHES	
19.	804-016C	WASHER FLAT 1/2 SAE PLT	

Legend: ● = 1st revision; ● = 2nd revision; ● = 3rd revision; ● = use up existing stock; ⊗ = not interchangeable; ⊗ ① ● = for example: revision 2 is not interchangeable w/revision 1

SML SDS Idler Mount Assembly (133-071K)



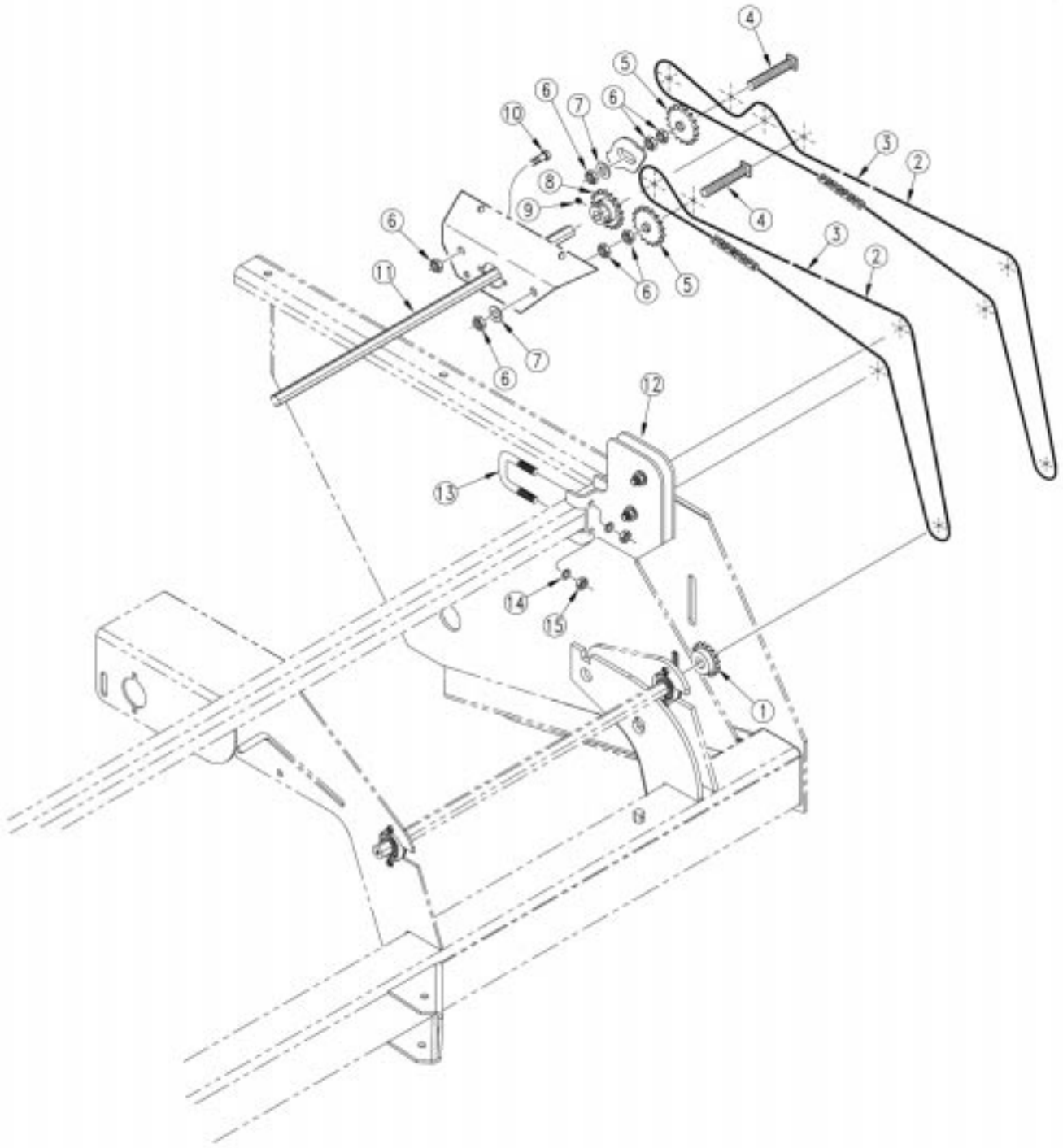
17037

SML SDS Idler Mount Assembly (133-071K)

Ref.	Part No.	Part Description	Comments
1.	133-022D	AUX IDLER BRACKET	
2.	133-023D	AUX IDLER BRACKET FORMED	
3.	802-038C	HHCS 1/2-13X2 1/4 GR5	
4.	803-020C	NUT HEX 1/2-13 PLT	
5.	804-015C	WASHER LOCK SPRING 1/2 PLT	
6.	804-016C	WASHER FLAT 1/2 SAE PLT	
7.	808-046C	SPKT 40A17 IDLER	

Legend: ● = 1st revision; ● = 2nd revision; ● = 3rd revision; ● = use up existing stock; ⊗ = not interchangeable; ⊗ ① ● = for example: revision 2 is not interchangeable w/revision 1

Agitator Drive (Option)



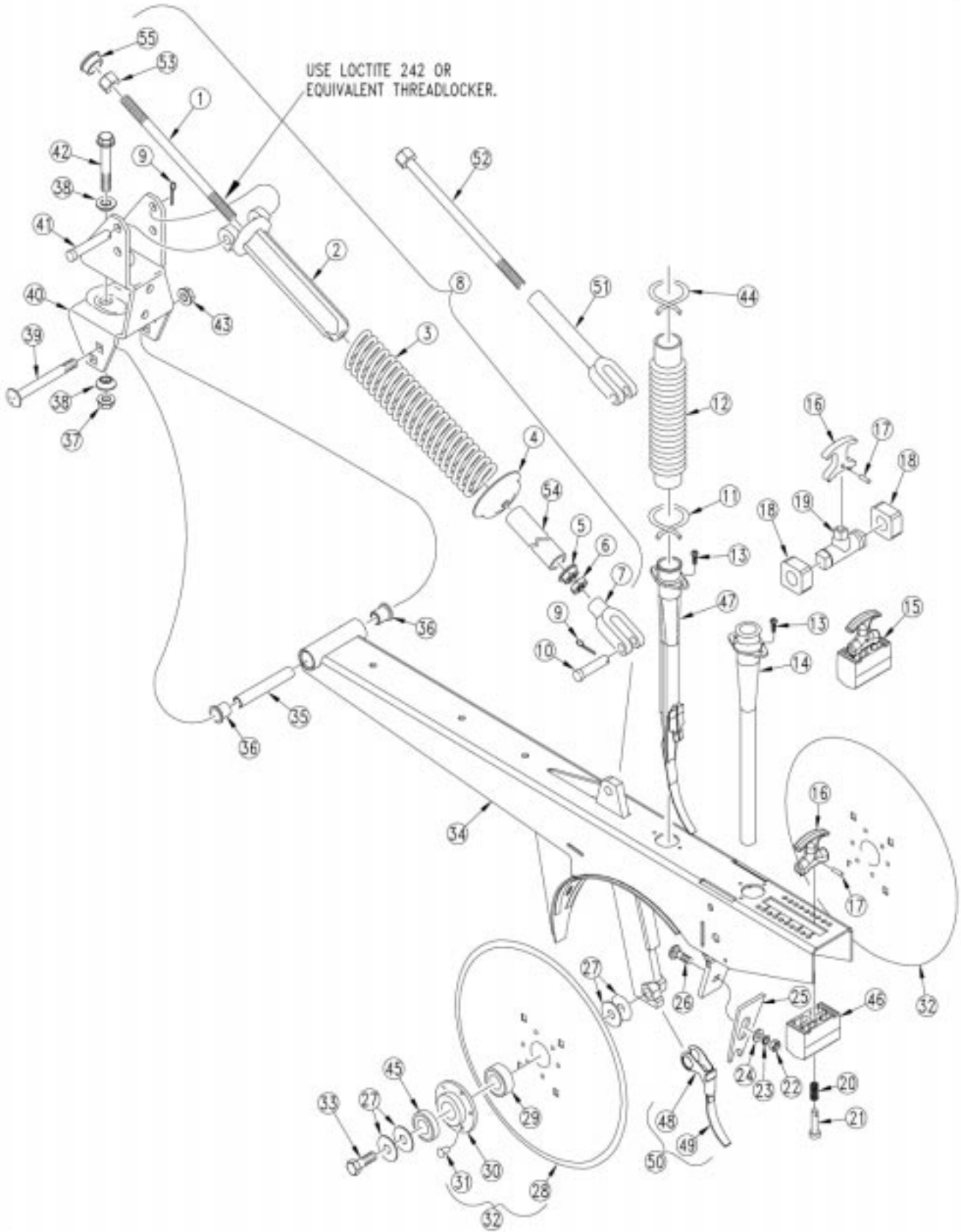
16944

Agitator Drive (Option)

Ref.	Part No.	Part Description	Comments
1.	808-143C	SPKT 40B12 7/8 HEX BORE W/SS	
2.	136-034D	CHAIN RL #40 170 PITCHES	
3.	809-096C	#40 CONNECTOR LINK-PLATED	
4.	118-439H	AGITATOR IDLER BOLT 5/8-11	
5.	808-046C	SPKT 40A17 IDLER	
6.	803-023C	NUT HEX JAM 5/8-11 PLT	
7.	804-022C	WASHER LOCK SPRING 5/8 PLT	
8.	118-592H	SPKT 40B17X3/4 HEXBR&LCK COLLR	
9.	801-035C	SCREW SET 5/16-18 SKT KP X 3/8	
10.	802-050C	HHCS 5/8-11X1 1/4 GR5	
11.	175-341D	1300 AGITATOR SHAFT	
12.	133-071K	1300 SML SDS IDLER MNT ASY	Refer to page 6-11 for breakdown.
13.	806-005C	U-BOLT 1/2-13 X 2 X 3 GR 5	
14.	804-015C	WASHER LOCK SPRING 1/2 PLT	
15.	803-020C	NUT HEX 1/2-13 PLT	

Legend: ● = 1st revision; ● = 2nd revision; ● = 3rd revision; ● = use up existing stock; ⊗ = not interchangeable; ⊗ ① ● = for example: revision 2 is not interchangeable w/revision 1

Long Arm Opener



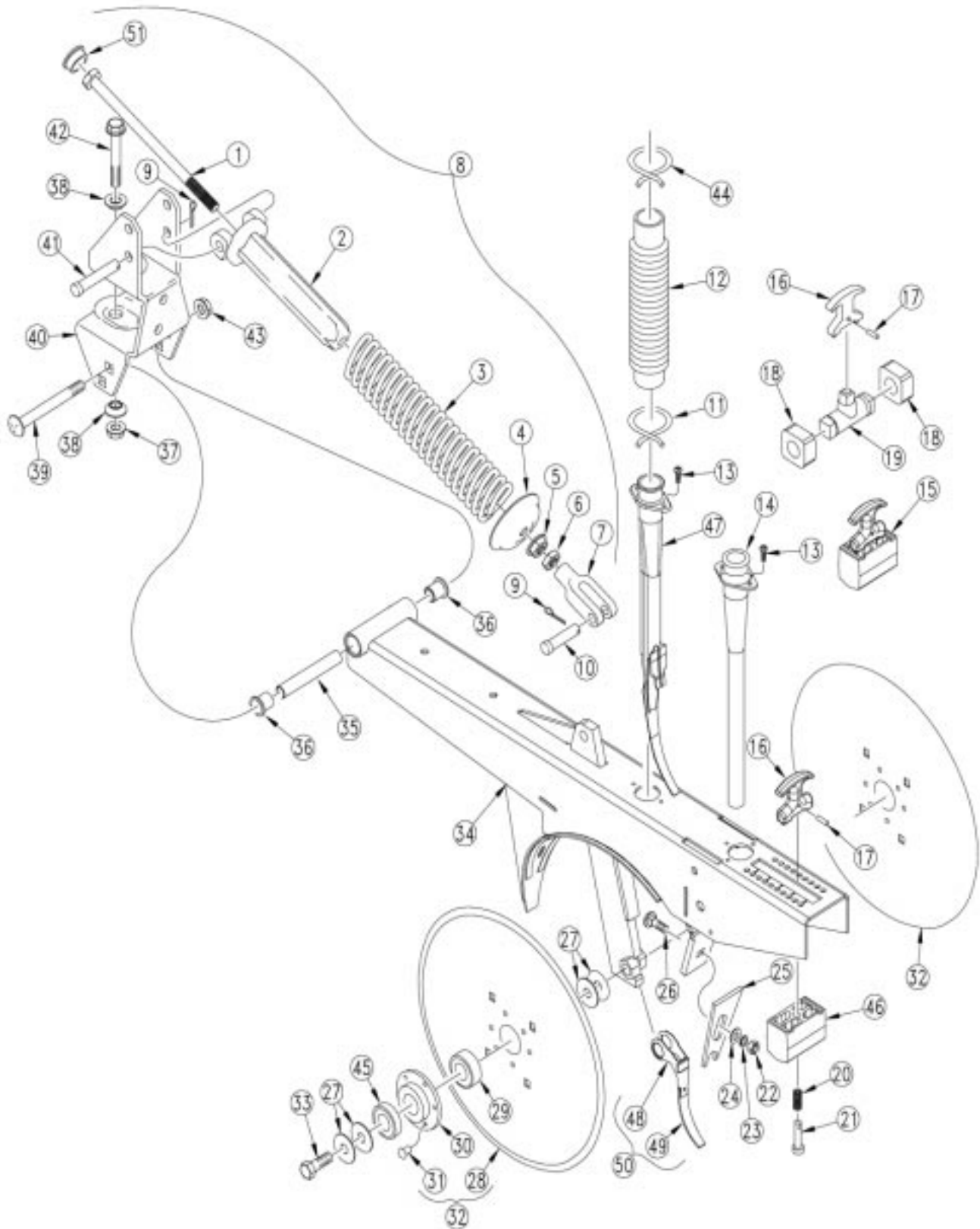
15464

Long Arm Opener

Ref.	Part No.	Part Description	Comments
1.	800-322C	STUD 1/2-13X17.6 SPTH DDBLEND	
2.	121-167D	OPNR SPRING RD TRUNION	
3.	807-159C	SPRING COMP 2 1/2ODX3/8X12 7/8	
4.	121-154D	SPRING STOP STAMPING	
5.	803-193C	NUT HEX FLANGE 1/2-13 GR G PLT	
6.	803-036C	NUT HEX JAM 1/2-13 PLT	
7.	121-166D	ADJ. YOKE END	
8.	121-762S	OPENER SPRING ROD ASSY. LONG	Includes items 1 through 7
9.	805-109C	PIN COTTER 1/8 X 1 1/4 PLT	
10.	805-127C	PIN CLEVIS 1/2 X 1 3/4	
11.	800-008C	CLAMP HOSE 1 1/2 NO. 24	
12.	816-002C	RUBBER GRAIN TUBE	
13.	801-002C	SCREW HEX SLT10-16X3/8P.THD CT	
14.	817-133C	PLASTIC OPENER SEED TUBE	Model year 1998-
15.	122-202S	PW ADJUSTMENT TRUNNION ASSY	Includes items 16, 17, 20, 21 and 45.
16.	817-328C	T-HANDLE ASSEMBLY	
17.	805-186C	PIN ROLL 5/32 X 5/8 PLT	
18.	817-132C	PRESS WHEEL ARM BUMPER	(S/N CC1189-) Use only with item 19.
19.	● ① 812-194C	REPLACED BY 817-347C	(S/N CC1189-)
20.	807-106C	SPRING .540 O.D.X 1 1/4 X.054W	
21.	805-154C	PIN CLEVIS 3/8 X 2 1/8 USABLE	
22.	803-014C	NUT HEX 3/8-16 PLT	
23.	804-013C	WASHER LOCK SPRING 3/8 PLT	
24.	804-012C	WASHER FLAT 3/8 SAE PLT	
25.	107-113D	D.D. SLOTTED SCRAPER	
26.	802-015C	RHSNB 3/8-16X1 GR5	
27.	804-040C	WASHER MACH 1.00 X .625 X 18GA	
28.	820-155C	FLAT DISK STEEL	
29.	188-001V	BEARING AA205DD	
30.	890-466C	RIBB BRG FLNG .266 MT HOLE PLT	
31.	800-213C	RIVET,BUTTON HEAD 1/4 X 9/16	
32.	107-133S	D.D. W/ 205 BRG ASSY-PLT FLNG	Includes items 28 through 31
33.	802-228C	HHCS 5/8-11X1 1/2 GR5 NYL	
34.	121-702H	OPENER WELDMENT - LONG	For drills manufactured after 5/1/2000, also order item 15.
35.	142-198D	STRAIGHT ARM OPENER PIVOT PIPE	
36.	817-084C	PARALLEL ARM PIVOT BUSHING	
37.	803-019C	NUT LOCK 1/2-13 PLT	
38.	804-154C	WASHER POWDER METAL CONE 1/2	
39.	802-121C	RHSNB 1/2-13X5 1/2 GR5	
40.	121-151D	OPENER MOUNTING BRACKET	
41.	805-234C	PIN CLEVIS 1/2 X 4 PLATED	
42.	802-045C	HHCS 1/2-13X5 GR5	
43.	803-169C	NUT HEX FLG. LOCK 1/2-13 PLT.	
44.	800-009C	CLAMP HOSE 1 5/8 NO. 26	
45.	107-111D	DD BRG FLANGE DUST COVER	
46.	⊗ 817-347C	OPENER TRUNION	(S/N CC1190+) Replaces items 18 and 19.
47.	817-314C	OPENER SEED TUBE, PLASTIC	Model year 1999+
48.	121-164D	HEX SEED FLAP MOUNTING CLIP	Model year 1999+
49.	816-302C	SEED FLAP, RUBBER, SEEDLOK	Model year 1999+
50.	122-242S	SEED FLAP & HEX CLIP, SEEDLOK	Model year 1999+
51.	121-152D	LONG YOKE OBSO RPBV 221-100K	Order kit 221-100K
52.	802-550C	HHCS 1/2-13X10 SPTH D GR8	Order kit 221-100K
53.	803-310C	NUT HEX 1/2-20 X 5/8 HIGH	
54.	121-169D	SPACER TB ALUM 1ODX 1/2 X 7.28	
55.	816-306C	PLUG, SPRING ROD CASTING	

Legend: ● = 1st revision; ⊗ = 2nd revision; ⊕ = 3rd revision; ● = use up existing stock; ⊗ = not interchangeable; ⊕ ⊗ = for example: revision 2 is not interchangeable w/revision 1

Short Arm Opener



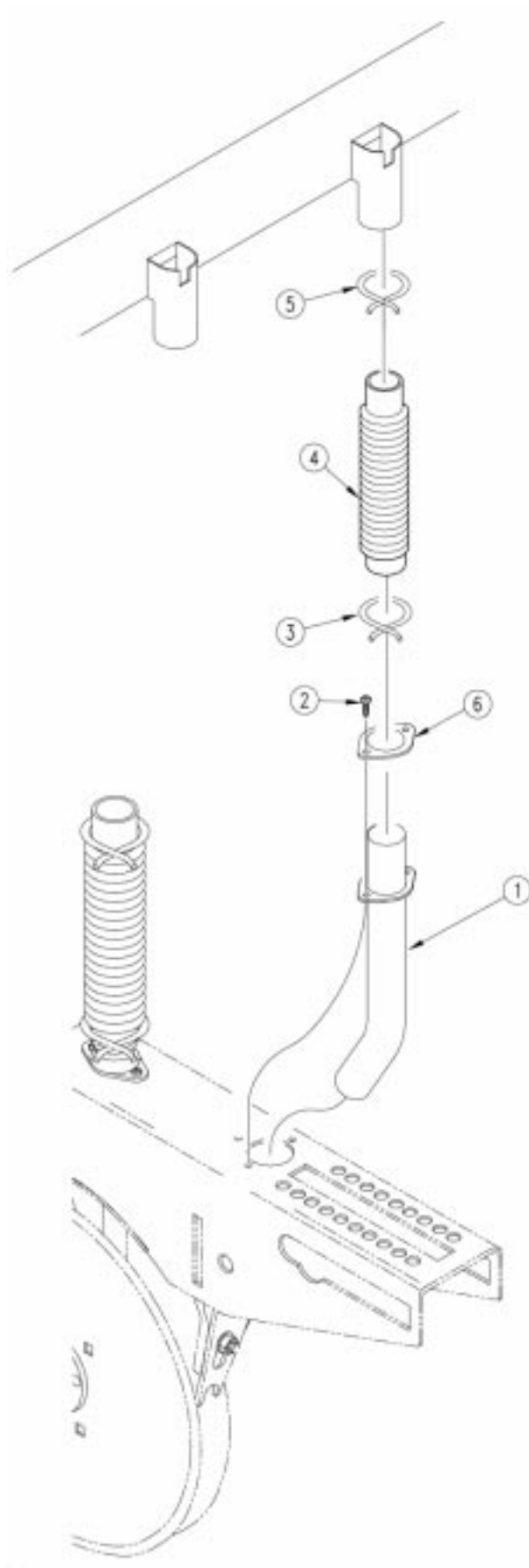
15465

Short Arm Opener

Ref.	Part No.	Part Description	Comments
1.	802-550C	HHCS 1/2-13X10 SPTHD GR8	
2.	812-236C	OPNR SPRING RD TRUNION CASTING	
3.	807-159C	SPRING COMP 2 1/2ODX3/8X12 7/8	
4.	121-154D	SPRING STOP STAMPING	
5.	803-193C	NUT HEX FLANGE 1/2-13 GR G PLT	
6.	803-036C	NUT HEX JAM 1/2-13 PLT	
7.	812-245C	ADJUSTABLE YOKE END	
8.	121-763S	OPENER SPRING ROD ASSY. SHRT.	Includes items 1 through 7
9.	805-109C	PIN COTTER 1/8 X 1 1/4 PLT	
10.	805-127C	PIN CLEVIS 1/2 X 1 3/4	
11.	800-008C	CLAMP HOSE 1 1/2 NO. 24	
12.	816-002C	RUBBER GRAIN TUBE	
13.	801-002C	SCREW HEX SLT10-16X3/8P.THD CT	
14.	817-133C	PLASTIC OPENER SEED TUBE	Model year 1998-
15.	122-202S	PW ADJUSTMENT TRUNNION ASSY	Includes items 16, 17, 20, 21 and 45.
16.	817-328C	T-HANDLE ASSEMBLY	
17.	805-186C	PIN ROLL 5/32 X 5/8 PLT	
18.	817-132C	PRESS WHEEL ARM BUMPER	(S/N CC1189-) Use only with item 15.
19.	● ① 812-194C	REPLACED BY 817-347C	(S/N CC1189-)
20.	807-106C	SPRING .540 O.D.X 1 1/4 X.054W	
21.	805-154C	PIN CLEVIS 3/8 X 2 1/8 USABLE	
22.	803-014C	NUT HEX 3/8-16 PLT	
23.	804-013C	WASHER LOCK SPRING 3/8 PLT	
24.	804-012C	WASHER FLAT 3/8 SAE PLT	
25.	107-113D	D.D. SLOTTED SCRAPER	
26.	802-015C	RHSNB 3/8-16X1 GR5	
27.	804-040C	WASHER MACH 1.00 X .625 X 18GA	
28.	820-155C	FLAT DISK STEEL	
29.	188-001V	BEARING AA205DD	
30.	890-466C	RIBB BRG FLNG .266 MT HOLE PLT	
31.	800-213C	RIVET,BUTTON HEAD 1/4 X 9/16	
32.	107-133S	D.D. W/ 205 BRG ASSY-PLT FLNG	Includes items 28 through 31
33.	802-228C	HHCS 5/8-11X1 1/2 GR5 NYL	
34.	121-703H	OPENER WELDMENT - SHORT	For drills manufactured after 5/1/2000, also order item 15.
35.	142-198D	STRAIGHT ARM OPENER PIVOT PIPE	
36.	817-084C	PARALLEL ARM PIVOT BUSHING	
37.	803-019C	NUT LOCK 1/2-13 PLT	
38.	804-154C	WASHER POWDER METAL CONE 1/2	
39.	802-121C	RHSNB 1/2-13X5 1/2 GR5	
40.	121-151D	OPENER MOUNTING BRACKET	
41.	805-234C	PIN CLEVIS 1/2 X 4 PLATED	
42.	802-045C	HHCS 1/2-13X5 GR5	
43.	803-169C	NUT HEX FLG. LOCK 1/2-13 PLT.	
44.	800-009C	CLAMP HOSE 1 5/8 NO. 26	
45.	107-111D	DD BRG FLANGE DUST COVER	
46.	⊗ 817-347C	OPENER TRUNION	(S/N CC1190+) Replaces items 18 and 19.
47.	817-314C	OPENER SEED TUBE, PLASTIC	Model year 1999+
48.	121-164D	HEX SEED FLAP MOUNTING CLIP	Model year 1999+
49.	813-302C	SEED FLAP, RUBER, SEEDLOK	Model year 1999+
50.	122-242S	SEED FLAP & HEX CLIP, SEEDLOK	Model year 1999+
51.	816-306C	PLUG, SPRING ROD CASTING	

Legend: ● = 1st revision; ⊗ = 2nd revision; ⊗ = 3rd revision; ● = use up existing stock; ⊗ = not interchangeable; ⊗ ① ● = for example: revision 2 is not interchangeable w/revision 1

Fertilizer Hose



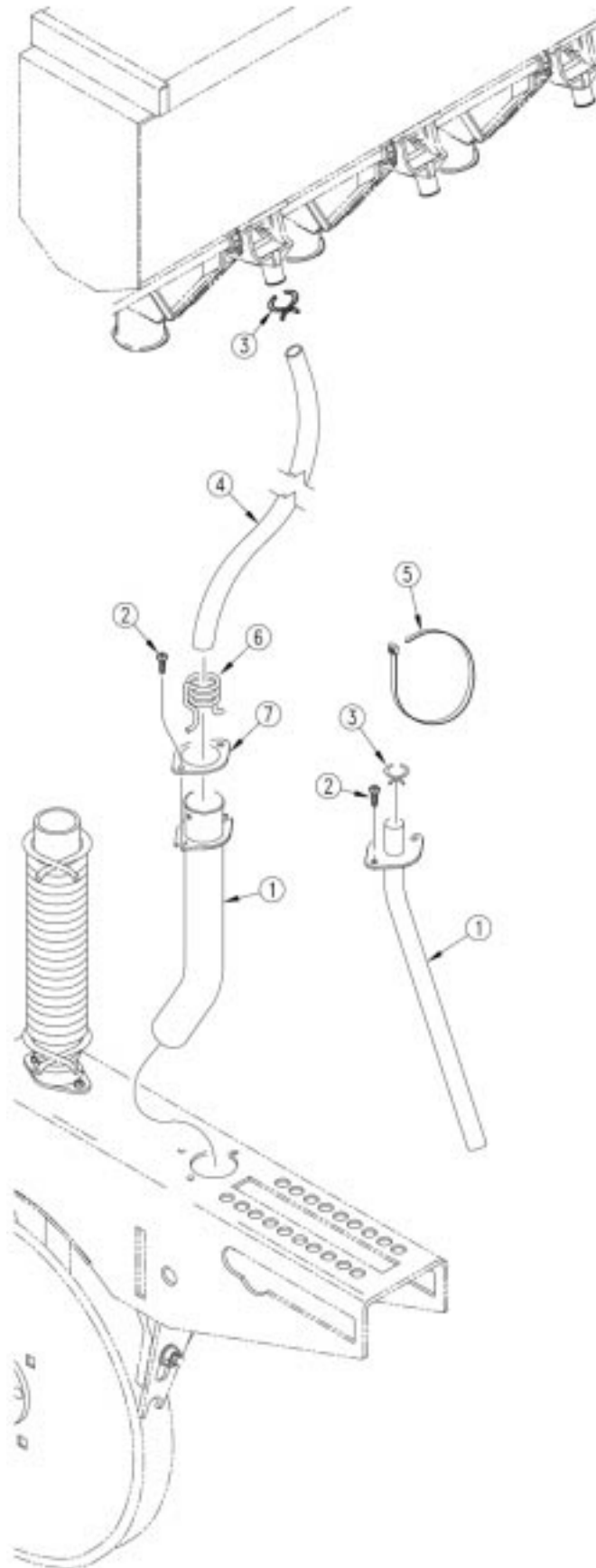
16459

Fertilizer Hose

Ref.	Part No.	Part Description	Comments
1.	⊗ 817-346C	PLASTIC FERTILIZER TUBE	
	● ① 142-701H	FERTILIZER DROP TUBE WLDMT	
2.	801-002C	SCREW HEX SLT10-16X3/8P.THD CT	
3.	800-008C	CLAMP HOSE 1 1/2 NO. 24	
4.	816-007C	SEED HOSE X 59 RIBS 1.5-1.25	
5.	800-016C	UPPER FERT HOSE CLAMP RATCHET	
6.	133-065D	SML SDS TB REINFORCEMENT RING	

Legend: ● = 1st revision; ⊗ = 2nd revision; ⊕ = 3rd revision; ● = use up existing stock; ⊗ = not interchangeable; ⊗ ① ⊗ = for example: revision 2 is not interchangeable w/revision 1

Small Seeds Hose Retainer



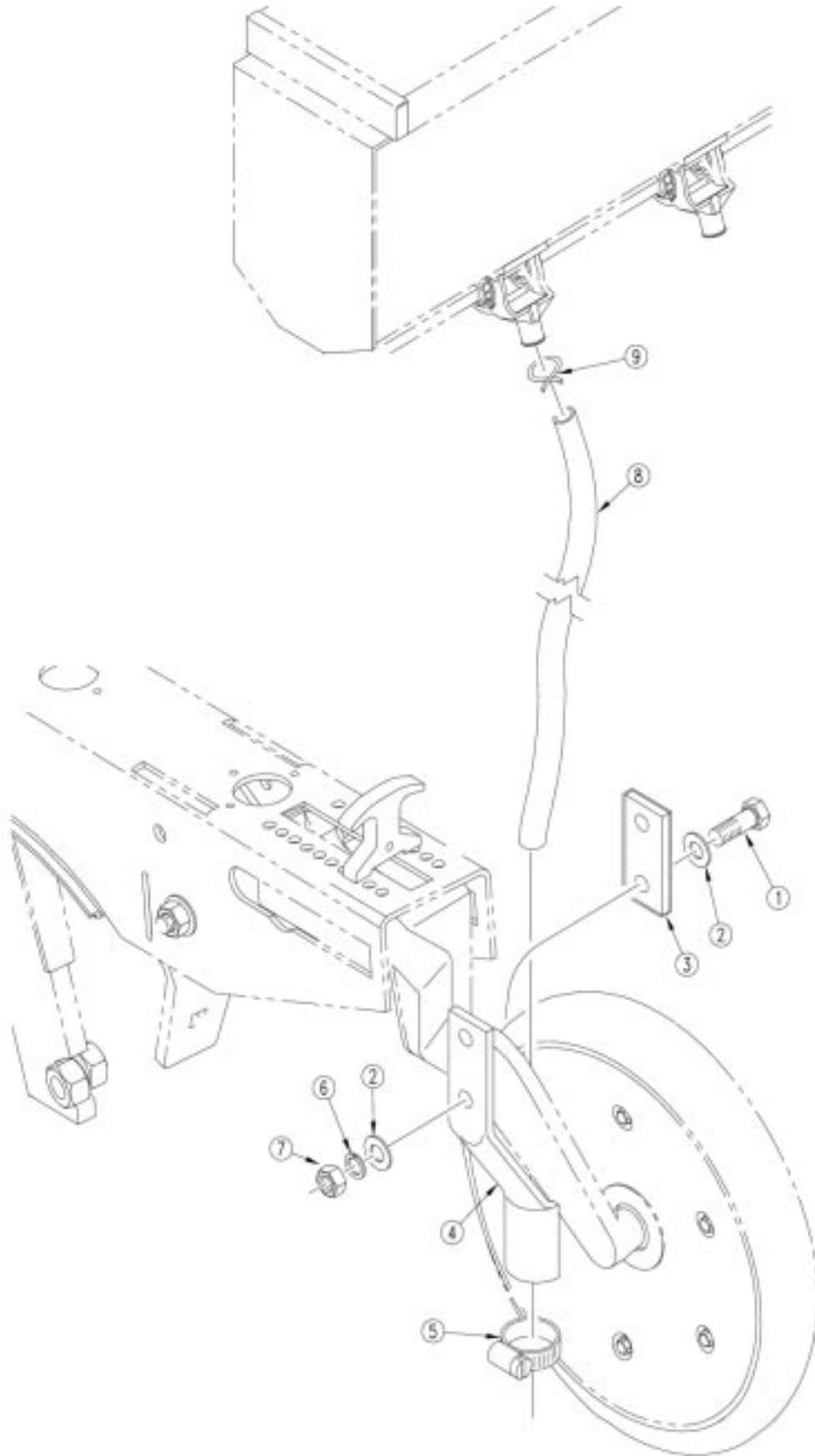
16310

Small Seeds Hose Retainer

Ref.	Part No.	Part Description	Comments
1.	⊗ 817-346C	PLASTIC FERTILIZER TUBE	
	Ⓛ 123-939H	REPLACED BY 817-346C&800-304C	
2.	801-002C	SCREW HEX SLT10-16X3/8P.THD CT	
3.	800-029C	CLAMP HOSE GRASS SEED	
4.	⊗ 123-203D	SML SDS HOSE 5/8 ID X 56 LONG	
	Ⓛ 816-358C	SGS HOSE 122 RIBS	Used with 123-939H
5.	800-060C	CABLE TIE .19X14.25 3DIA 50LB	
6.	800-304C	SGS TUBE CLAMP	
7.	133-065D	SML SDS TB REINFORCEMENT RING	

Legend: Ⓛ = 1st revision; ⊗ = 2nd revision; ⊕ = 3rd revision; ● = use up existing stock; ⊗ = not interchangeable; ⊗ Ⓛ ⊕ = for example: revision 2 is not interchangeable w/revision 1

Small Seeds Press Wheel Hose



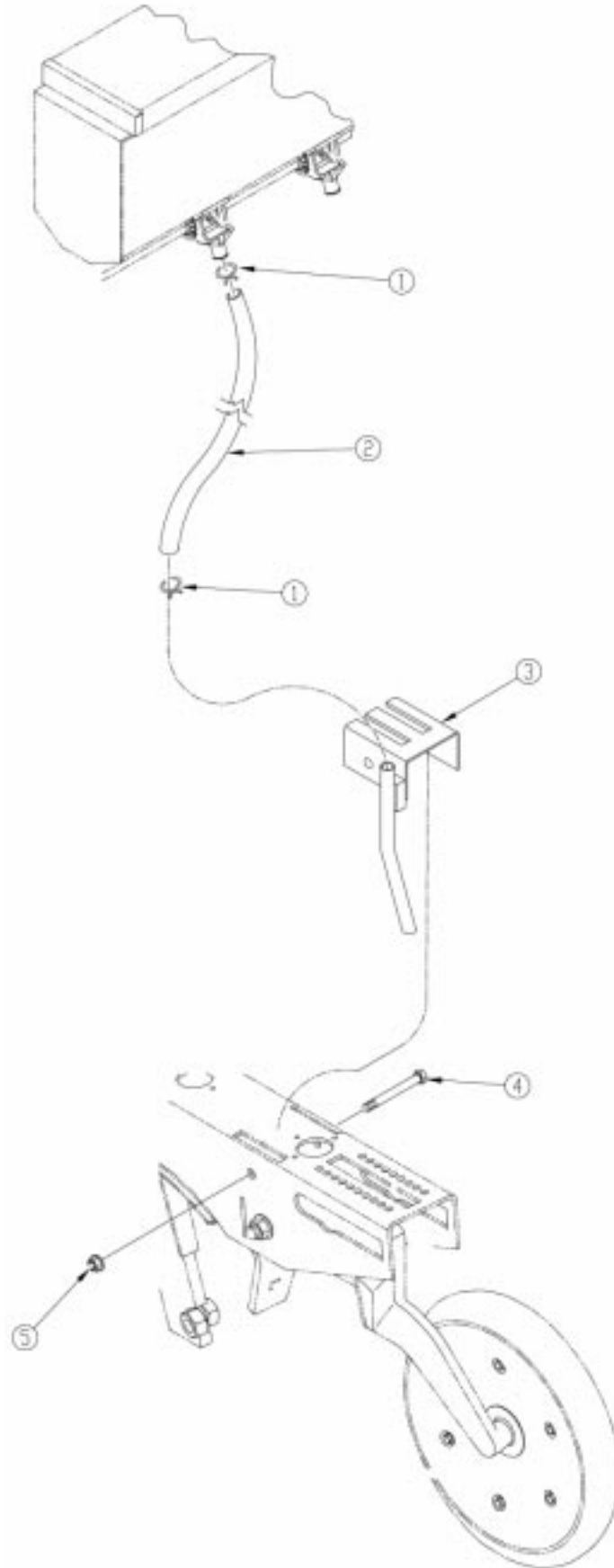
13038

Small Seeds Press Wheel Hose

Ref.	Part No.	Part Description	Comments
1.	802-005C	HHCS 1/4-20X1 GR5	
2.	804-007C	WASHER FLAT 1/4 SAE PLT	
3.	123-298D	HOSE RETAINER MOUNT PLATE	
4.	123-202D	GRASS SEED HOSE RETAINER	
5.	800-024C	CLAMP WORM DRIVE 11/16-1 1/4	
6.	804-006C	WASHER LOCK SPRING 1/4 PLT	
7.	803-006C	NUT HEX 1/4-20 PLT	
8.	123-203D	SML SDS HOSE 5/8 ID X 56 LONG	
9.	800-029C	CLAMP HOSE GRASS SEED	

Legend: ① = 1st revision; ② = 2nd revision; ③ = 3rd revision; ● = use up existing stock; ⊗ = not interchangeable; ⊗ ① ② = for example: revision 2 is not interchangeable w/revision 1

Small Seeds Press Wheel Hose (9/1/2000 +)



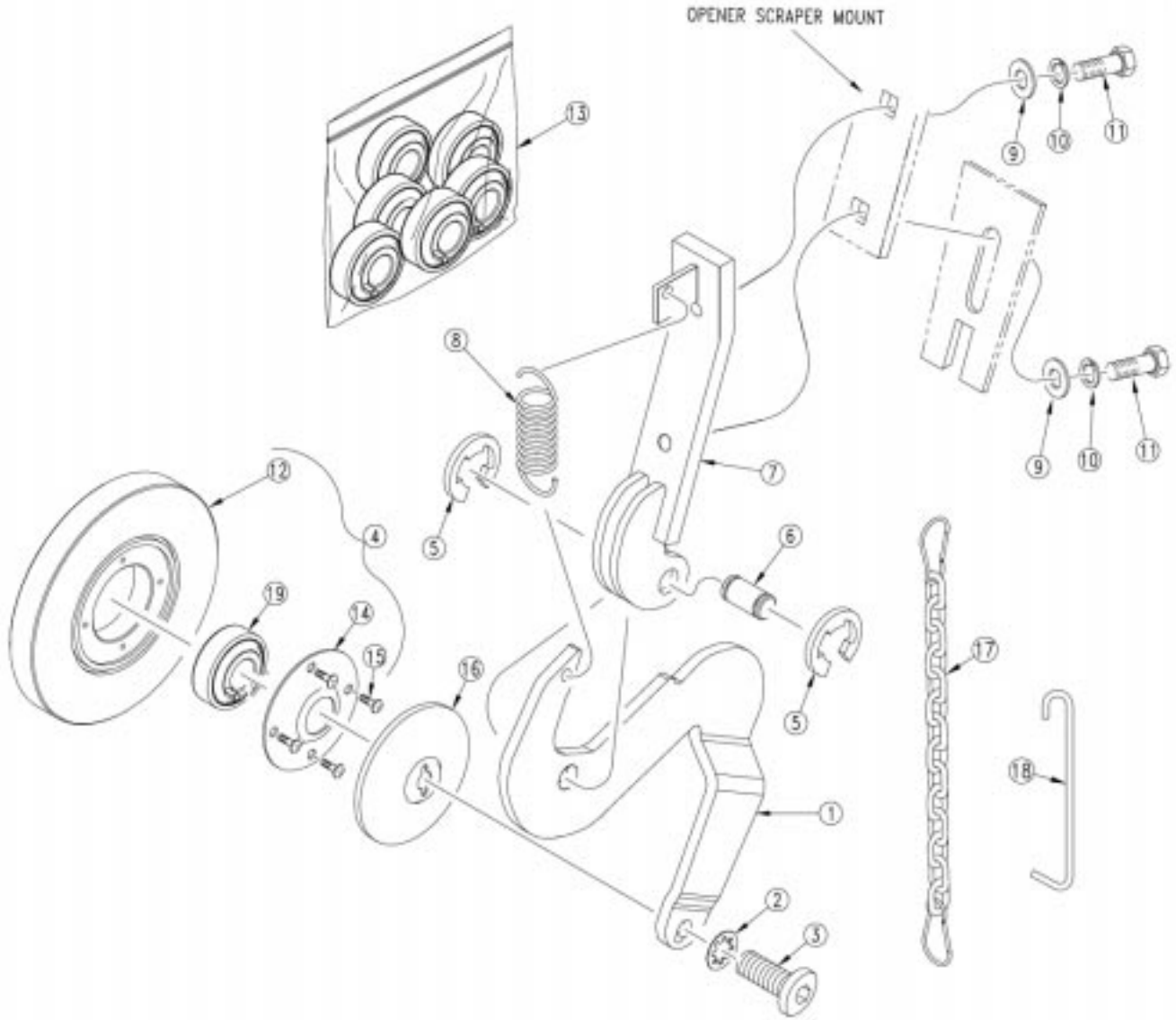
19614

Small Seeds Press Wheel Hose (9/1/2000 +)

Ref.	Part No.	Part Description	Comments
1.	800-029C	CLAMP HOSE GRASS SEED	
2.	816-358C	SGS HOSE 122 RIBS	
3.	133-128H	SGS SIDE DELIVERY TUBE	
4.	802-427C	HFS 3/8-16X3 5/8 SPTH	
5.	803-209C	NUT FLANGE LOCK 3/8-16 PLT	

Legend: ● = 1st revision; ● = 2nd revision; ● = 3rd revision; ● = use up existing stock; ⊗ = not interchangeable; ⊗ ① ● = for example: revision 2 is not interchangeable w/revision 1

5" & 6" Seed-Lok® (Option)

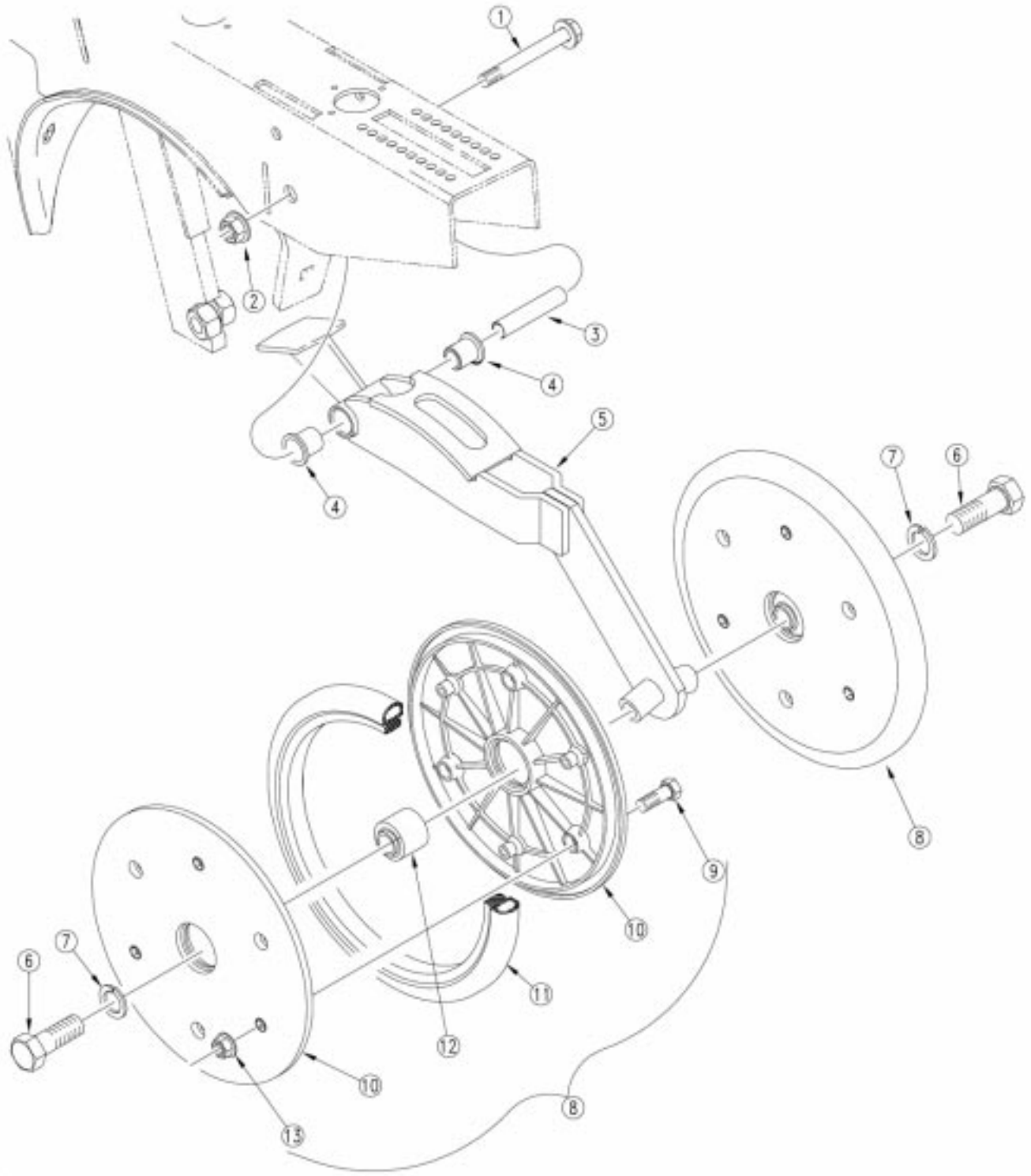


5" & 6" Seed-Lok, (Option)

Ref.	Part No.	Part Description	Comments
1.	122-151D	SEED-LOK ARM (1994)	
2.	804-078C	WASHER INTERNAL STAR 3/8 PLT.	
3.	801-141C	LHS CP 3/8-16X3/4 GR8 PLAIN	
4.	122-201S	SD-LK 203 BEARING WHEEL ASSY	5" Seed-Lok
	206-014S	6 GROOVED SEED LOK ASSEMBLY	6" Seed-Lok
5.	800-093C	SNAP RING EXT E 1/2	
6.	122-120D	5 SEED-LOK WHL ARM PIVOT PIN	
7.	122-173H	SS RMVBL SD-LOK MNT WLDMT	
8.	807-101C	SPRING, 1 O.D.X.125WIREX 3 1/2	
9.	804-012C	WASHER FLAT 3/8 SAE PLT	
10.	804-013C	WASHER LOCK SPRING 3/8 PLT	
11.	802-017C	HHCS 3/8-16X1 GR5	
12.	817-134C	5/8 X 5 SEED FIRING WHEEL	5" Seed-Lok
	817-191C	5/8 X 6 GROOVED SEED LOK WHEEL	6" Seed-Lok
13.	122-231A	SEED-LOK BEARING PACKAGE	Contains 6 bearings
14.	816-173C	BEARING RETAINER W/BONDED SEAL	
15.	801-084C	SCR PH THD FMG #10X1/2 TP ZP	
16.	206-021D	SEED LOK WHEEL CAP (LONG)	Drills before Sept. 30, 1997
17.	809-198C	SEED LOK TIE UP	Drills after Oct. 1, 1997. Can also be used on drills made before Sept. 30, 1997
18.	800-310C	SEED LOK HANGER SPRING	
19.	188-008V	BEARING 203 SEED-LOK WITH PIN	

Legend: ● = 1st revision; ● = 2nd revision; ● = 3rd revision; ● = use up existing stock; ⊗ = not interchangeable; ⊗ ① ● = for example: revision 2 is not interchangeable w/revision 1

1" x 12" Double "V" Press Wheel



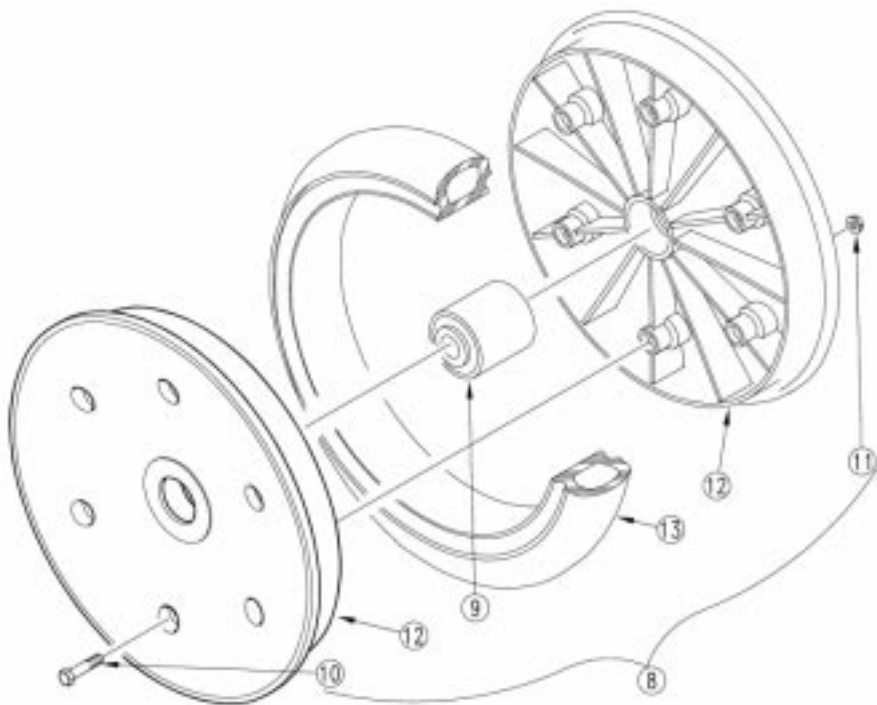
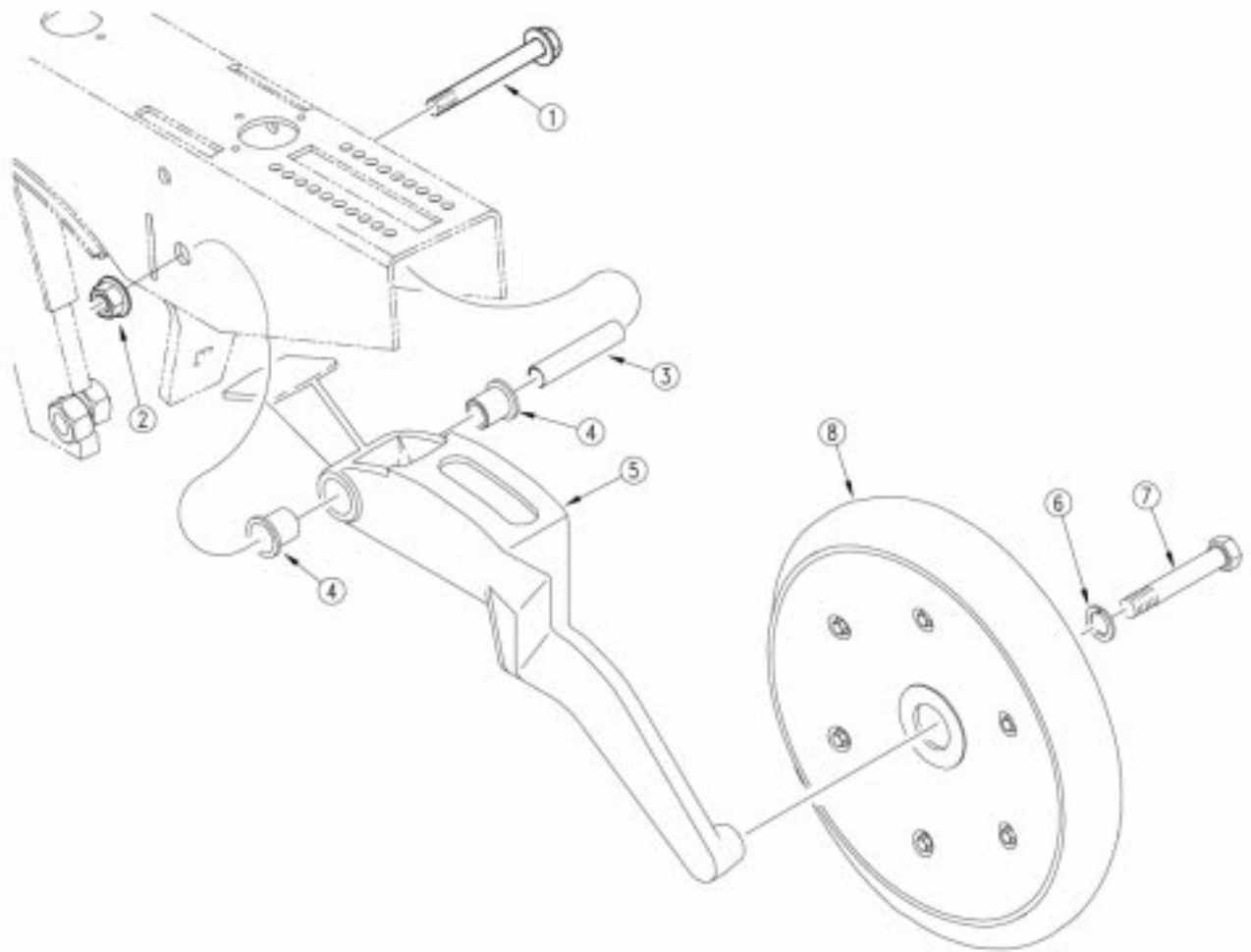
15466

1" x 12" Double "V" Press Wheel

Ref.	Part No.	Part Description	Comments
1.	802-421C	HFS 1/2-13X3 3/4 GR5 SPTHD	
2.	803-169C	NUT HEX FLG. LOCK 1/2-13 PLT.	
3.	198-137D	PRESS WHEEL PIVOT TUBE	
4.	817-084C	PARALLEL ARM PIVOT BUSHING	
5.	199-022H	98 1X12 PRESS WHEEL WELDMENT	
6.	802-051C	HHCS 5/8-11X1 1/2 GR5	
7.	804-022C	WASHER LOCK SPRING 5/8 PLT	
8.	814-174C	1 X 12 PRESS WHL ASSY-5203BRG	Includes items 9 through 13
9.	802-005C	HHCS 1/4-20X1 GR5	
10.	817-330C	1 X 12 PRESS WHEEL RIM HALF	
11.	814-034C	TIRE RUBBER 1 X 12	
12.	822-170C	BEARING PRESS WHEEL ASSEMBLY	
13.	803-088C	NUT HEX LOCK 1/4-20 FLG	

Legend: ● = 1st revision; ● = 2nd revision; ● = 3rd revision; ● = use up existing stock; ⊗ = not interchangeable; ⊗ ① ● = for example: revision 2 is not interchangeable w/revision 1

2" x 13" Single Press Wheel



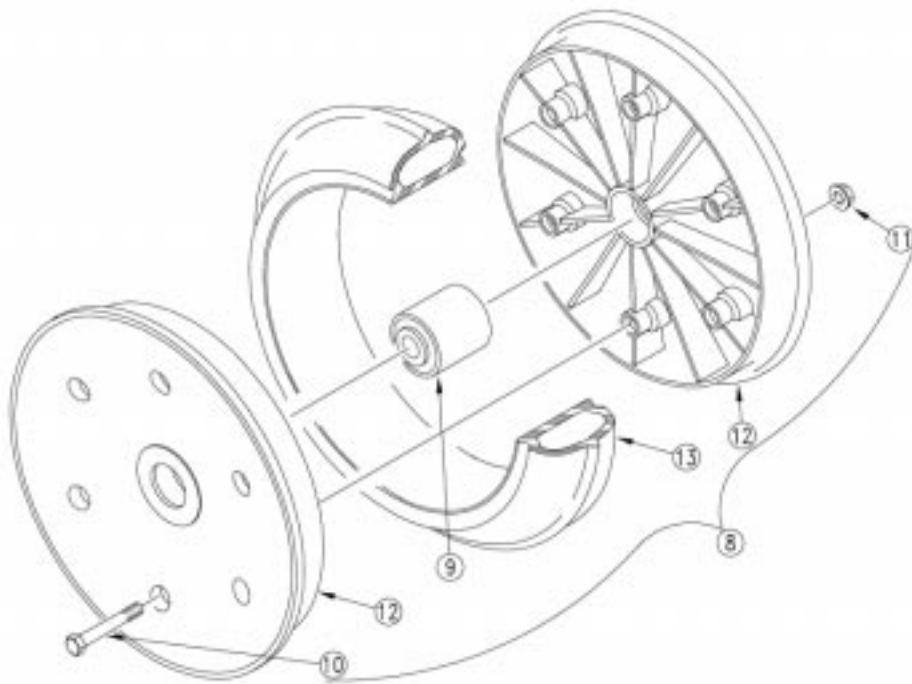
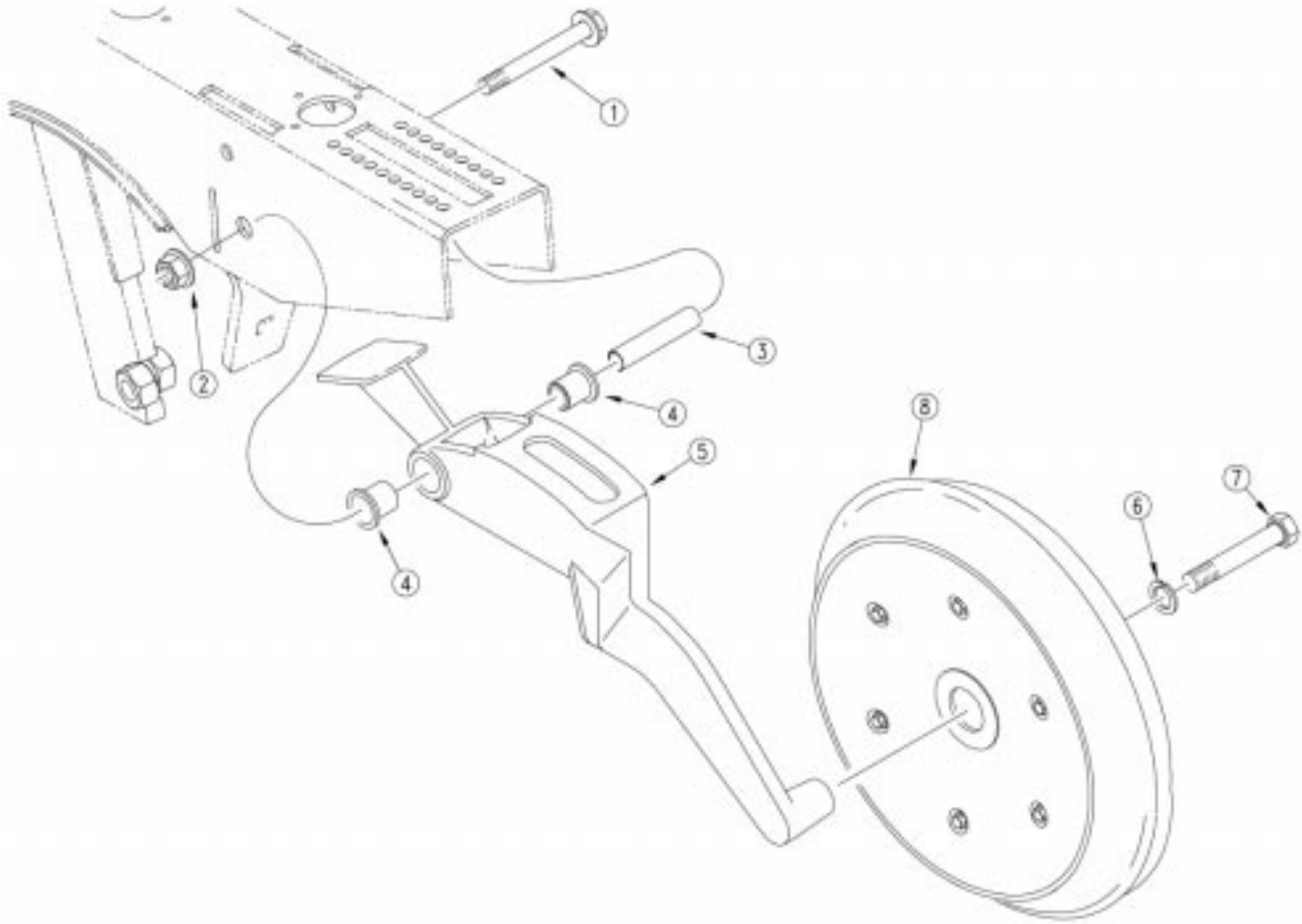
15467

2" x 13" Single Press Wheel

Ref.	Part No.	Part Description	Comments
1.	802-421C	HFS 1/2-13X3 3/4 GR5 SPTH	
2.	803-169C	NUT HEX FLG. LOCK 1/2-13 PLT.	
3.	198-137D	PRESS WHEEL PIVOT TUBE	
4.	817-084C	PARALLEL ARM PIVOT BUSHING	
5.	② 199-042D	UNIVERSAL PW ARM MACH 2&3X13	
	① 199-028D	REPLACED BY 199-042D	
6.	804-022C	WASHER LOCK SPRING 5/8 PLT	
7.	802-058C	HHCS 5/8-11X2 1/2 GR5	
8.	814-157C	2 X 13 PRESS WHEEL ASSEMBLY	Includes item 9 through 13
9.	822-170C	BEARING PRESS WHEEL ASSEMBLY	
10.	802-617C	HHFS 1/4-20 X 1 1/2 GR 5	
11.	803-088C	NUT HEX LOCK 1/4-20 FLG	
12.	817-296C	2 X 13 PRESS WHEEL RIM HALF	
13.	814-159C	2 X 13 PRESS WHEEL TIRE	

Legend: ① = 1st revision; ② = 2nd revision; ③ = 3rd revision; ● = use up existing stock; ⊗ = not interchangeable; ⊗ ① ② = for example: revision 2 is not interchangeable w/revision 1

3" x 13" Single Press Wheel



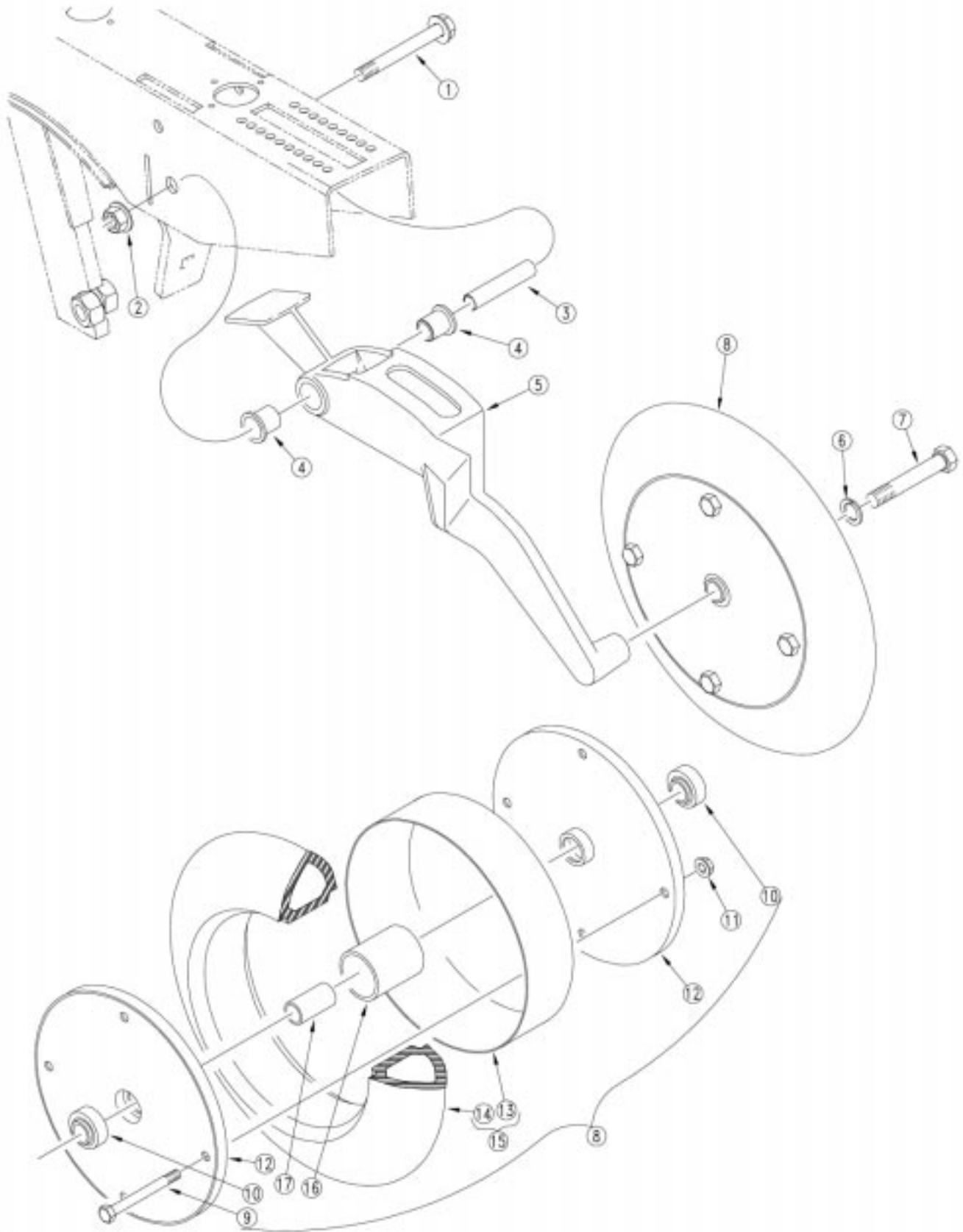
15468

3" x 13" Single Press Wheel

Ref.	Part No.	Part Description	Comments
1.	802-421C	HFS 1/2-13X3 3/4 GR5 SPTH	
2.	803-169C	NUT HEX FLG. LOCK 1/2-13 PLT.	
3.	198-137D	PRESS WHEEL PIVOT TUBE	
4.	817-084C	PARALLEL ARM PIVOT BUSHING	
5.	② 199-042D	UNIVERSAL PW ARM MACH 2&3X13	
	① 199-029D	REPLACED BY 199-042D	
6.	804-022C	WASHER LOCK SPRING 5/8 PLT	
7.	802-058C	HHCS 5/8-11X2 1/2 GR5	
8.	814-158C	3 X 13 PRESS WHEEL ASSEMBLY	
9.	822-170C	BEARING PRESS WHEEL ASSEMBLY	
10.	802-618C	HHFS 1/4-20 X 2 GR 5	
11.	803-088C	NUT HEX LOCK 1/4-20 FLG	
12.	817-297C	3 X 13 PRESS WHEEL RIM HALF	
13.	814-160C	3 X 13 PRESS WHEEL TIRE	

Legend: ① = 1st revision; ② = 2nd revision; ③ = 3rd revision; ● = use up existing stock; ⊗ = not interchangeable; ⊗ ① ② = for example: revision 2 is not interchangeable w/revision 1

3" x 14" Peaked Single Press Wheel



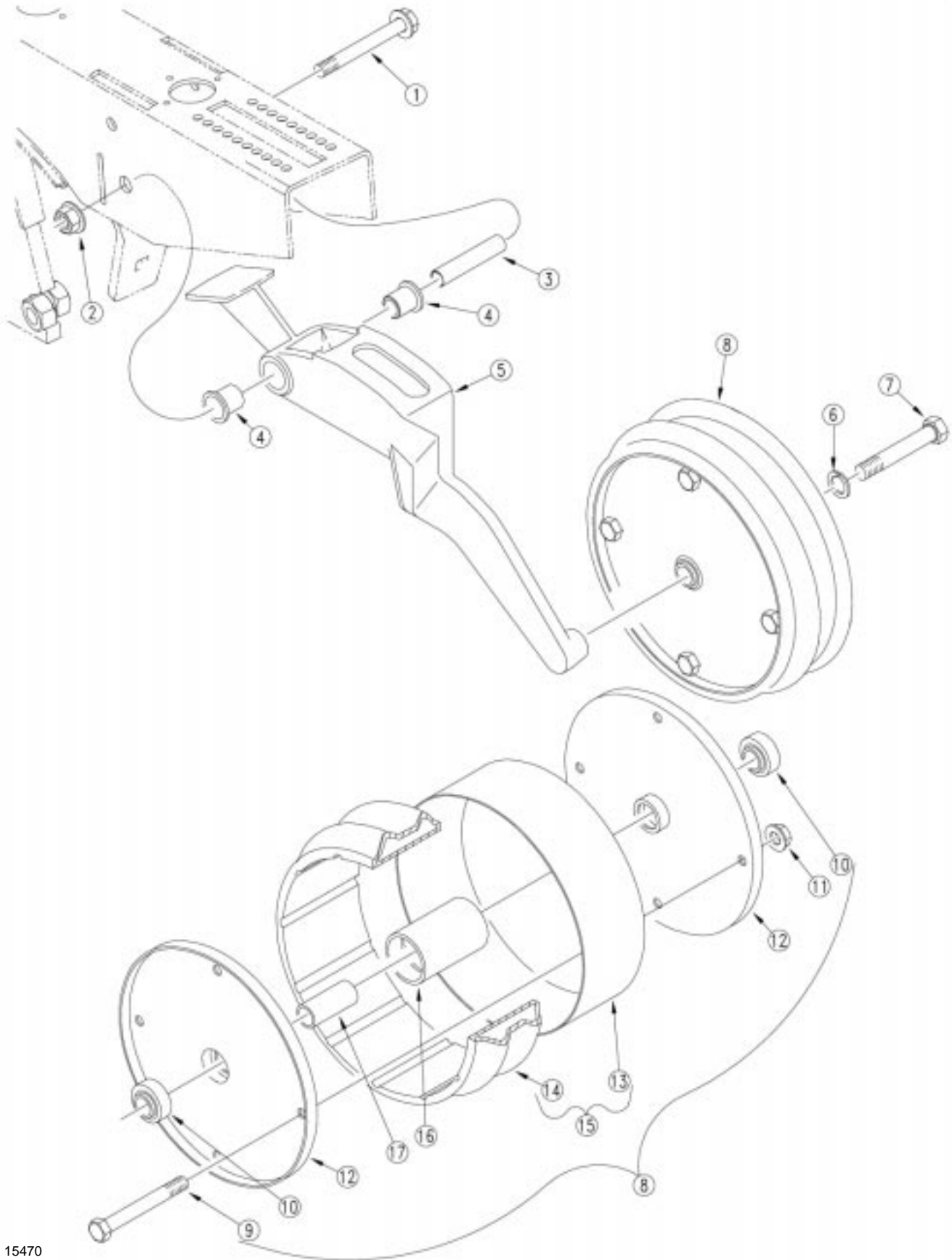
15469

3" x 14" Peaked Single Press Wheel

Ref.	Part No.	Part Description	Comments
1.	802-421C	HFS 1/2-13X3 3/4 GR5 SPTH	
2.	803-169C	NUT HEX FLG. LOCK 1/2-13 PLT.	
3.	198-137D	PRESS WHEEL PIVOT TUBE	
4.	817-084C	PARALLEL ARM PIVOT BUSHING	
5.	199-030D	3 X 14 PRESS WHEEL ARM	
6.	804-022C	WASHER LOCK SPRING 5/8 PLT	
7.	802-059C	HHCS 5/8-11X3 GR5	
8.	122-117S	3 X 14 PEAKED P.W. ASSEMBLY	Includes items 9 through 17
9.	802-197C	HHCS 5/16-18X2 3/4 GR5	
10.	822-095C	BEARING DBL LIP 203 X 5/8 BORE	
11.	803-177C	NUT HEX LOCK 5/16-18 FLG.	
12.	122-041D	4X12 PW RIM HALF	
13.	817-063C	3 X 14 RIM SPACER RING	
14.	814-067C	TIRE 3 X 14 PW PEAKED	
15.	122-198V	3 X 14 TIRE & RING ASSEMBLY	Includes items 13 and 14
16.	817-062C	LARGE SPACER TUBE	
17.	122-110D	SMALL SPACER TUBE	

Legend: ● = 1st revision; ● = 2nd revision; ● = 3rd revision; ● = use up existing stock; ⊗ = not interchangeable; ⊗ ① ● = for example: revision 2 is not interchangeable w/revision 1

4" x 12" Double Ribbed Single Press Wheel



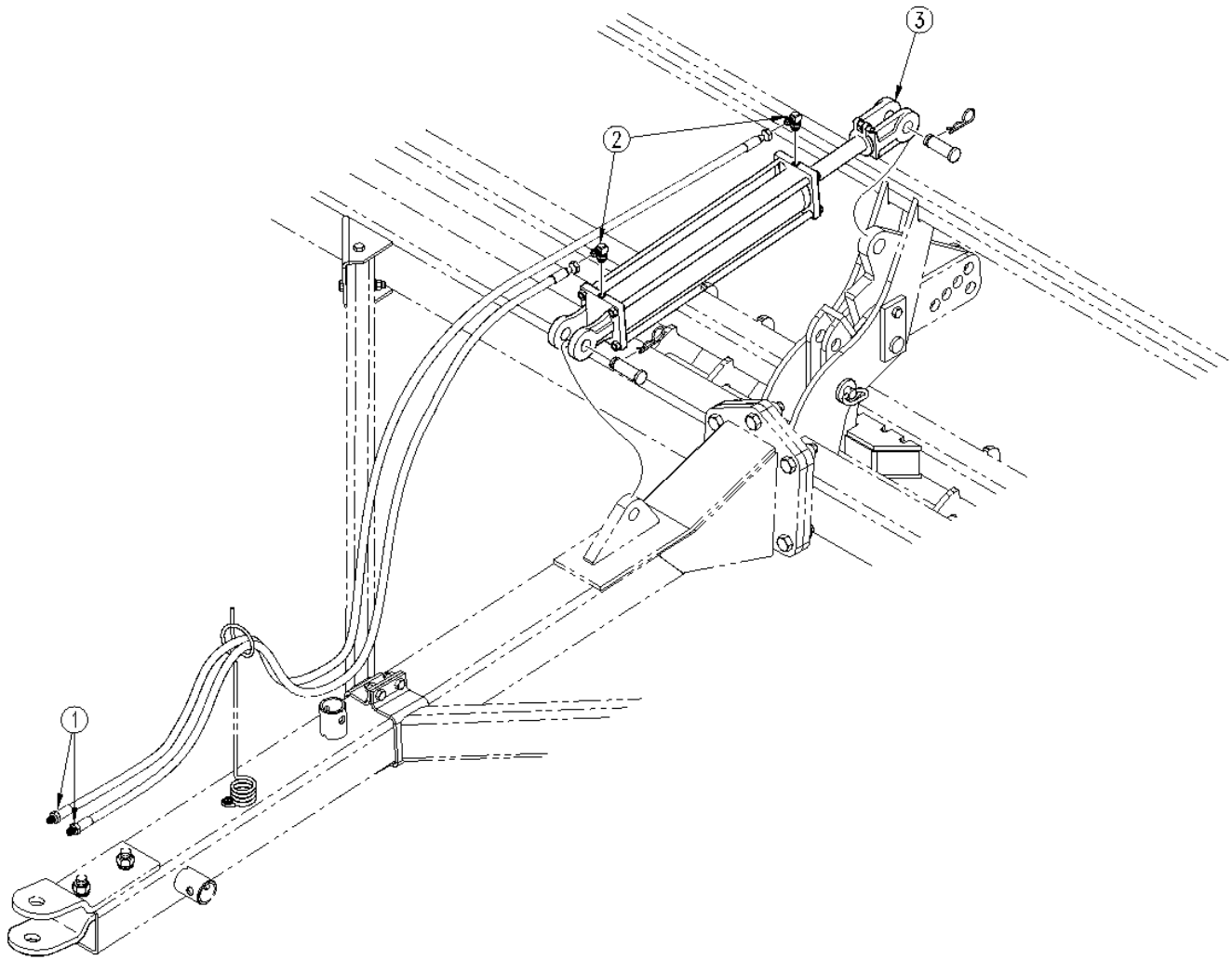
15470

4" x 12" Double Ribbed Single Press Wheel

Ref.	Part No.	Part Description	Comments
1.	802-421C	HFS 1/2-13X3 3/4 GR5 SPTH	
2.	803-169C	NUT HEX FLG. LOCK 1/2-13 PLT.	
3.	198-137D	PRESS WHEEL PIVOT TUBE	
4.	817-084C	PARALLEL ARM PIVOT BUSHING	
5.	199-031D	4 X 12 PRESS WHEEL ARM	
6.	804-022C	WASHER LOCK SPRING 5/8 PLT	
7.	802-151C	HHCS 5/8-11X4 1/4 GR5	
8.	122-103S	4X12 V-GROOVE PRESS WHL ASSY	Includes items 9 through 17
9.	802-119C	HHCS 5/16-18X3 3/4 GR5	
10.	822-095C	BEARING DBL LIP 203 X 5/8 BORE	
11.	803-177C	NUT HEX LOCK 5/16-18 FLG.	
12.	122-041D	4X12 PW RIM HALF	
13.	817-023C	4 X 12 RIM SPACER RING	
14.	814-010C	TIRE PW 4 X 12	
15.	122-197V	4X12 V-GROOVE TIRE & RING ASSY	Includes items 13 and 14
16.	817-022C	4 X 12 LARGE SPREADER TUBE	
17.	122-094D	4X12 SMALL SPREADER TUBE-SHORT	

Legend: ● = 1st revision; ● = 2nd revision; ● = 3rd revision; ● = use up existing stock; ⊗ = not interchangeable; ⊗ ① ● = for example: revision 2 is not interchangeable w/revision 1

Lift Hydraulics (Option)



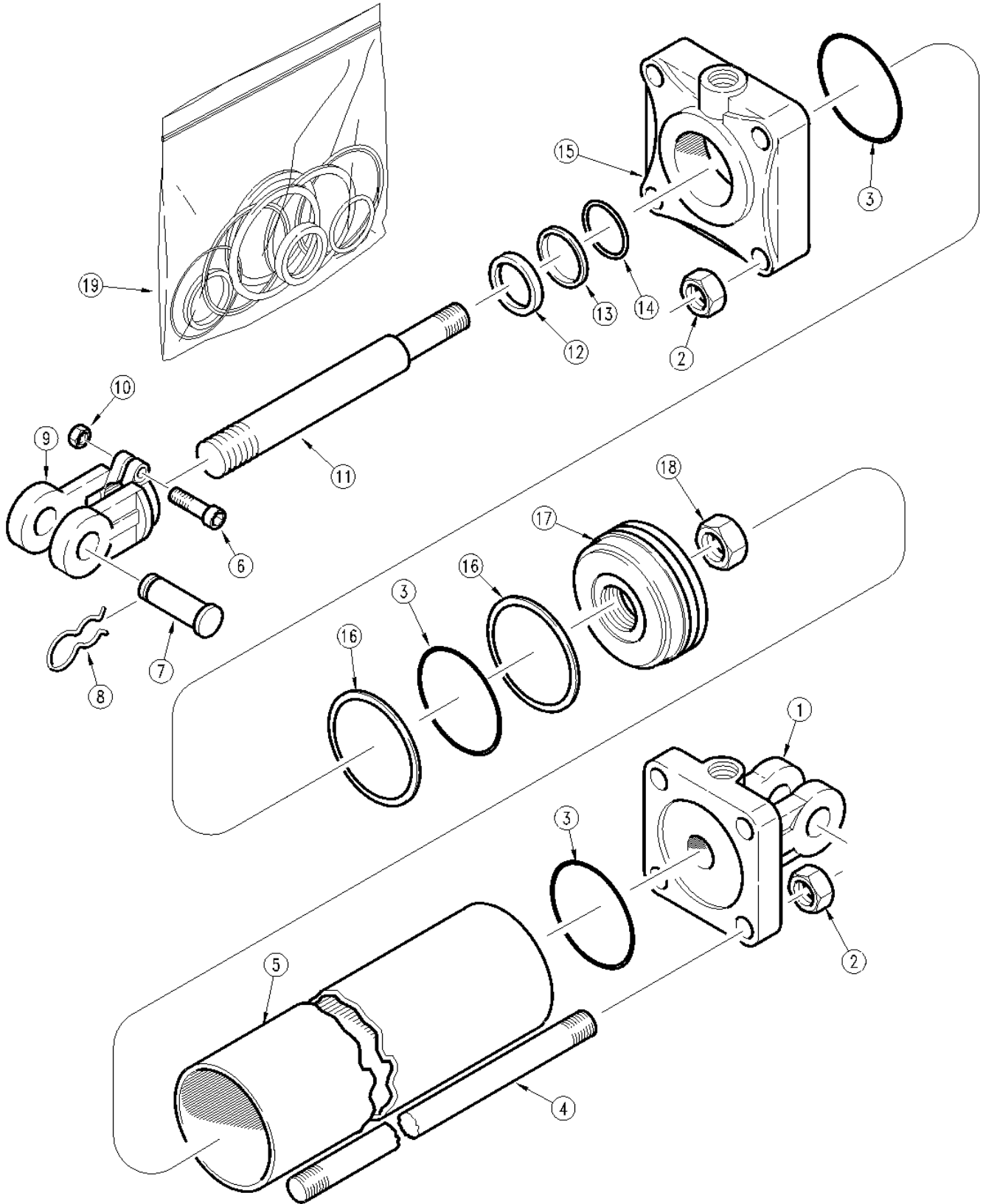
16588

Lift Hydraulics (Option)

Ref.	Part No.	Part Description	Comments
1.	811-383C	HH1/2R1 122 1/2MNPT 3/4FJIC	
2.	811-063C	EL 3/4MJIC 3/4MORB	
3.	810-162C	CYL 3.5X8X1.25 ROD (TIE ROD)	Refer to page 9-3

Legend: ● = 1st revision; ● = 2nd revision; ● = 3rd revision; ● = use up existing stock; ⊗ = not interchangeable; ⊗ ① ● = for example: revision 2 is not interchangeable w/revision 1

Hydraulic Cylinder (810-162C)



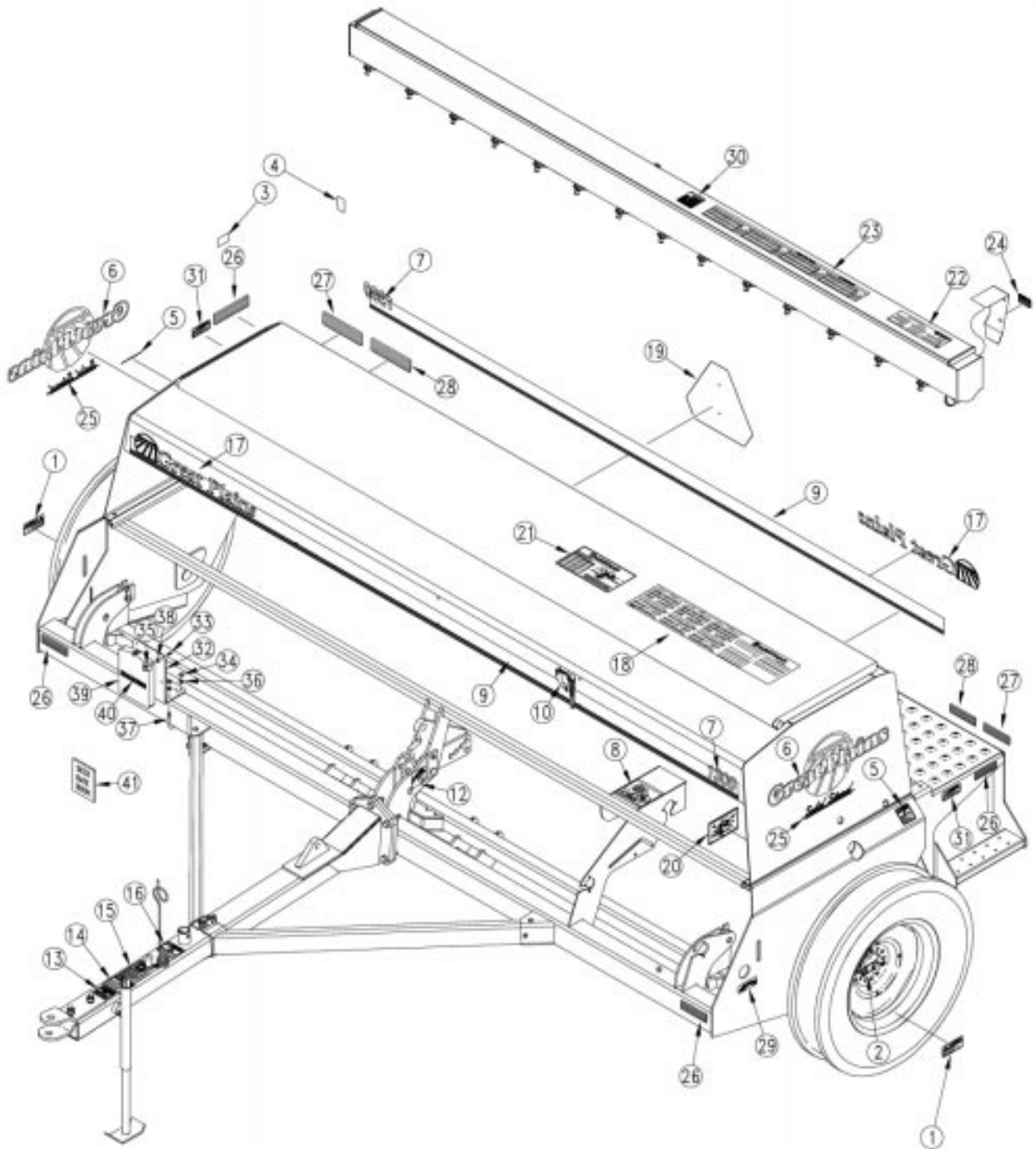
11421

Hydraulic Cylinder (810-162C)

Ref.	Part No.	Part Description	Comments
1.	6M5164	MW CLEVIS BASE 3-1/2 X 3/4 PT	
2.	2A0016	MW TIE ROD NUT	
3.		O-RING	Only found in seal kit item 19
4.	7M5316	MW ROD	
5.	5M5116	MW TUBE 3 1/2 X 8 CYLINDER	
6.	2A0006	MW CAPSCREW	
7.	2A0208	MW CLEVIS PIN	
8.	2A0132	MW PIN CLIP	
9.	1M7016	CLEVIS ROD MIDWAY	
10.	2A0012	MW NUT CLEVIS & TIE ROD	
11.	2M5416	MW ROD	
12.		WIPER	Only found in seal kit item 19
13.		BACKUP ROD	Only found in seal kit item 19
14.		O-RING	Only found in seal kit item 19
15.	3M5412	MW HEAD	
16.		BACKUP PISTON	Only found in seal kit item 19
17.	4M5102	MW PISTON 3 1/2 DIA.	
18.	2A0024	MW PISTON NUT 1-14	
19.	810-149C	SEAL KIT 810-104C MW 3A5102	

Legend: ● = 1st revision; ● = 2nd revision; ● = 3rd revision; ● = use up existing stock; ⊗ = not interchangeable; ⊗ ① ● = for example: revision 2 is not interchangeable w/revision 1

Decal Placement



16590

Decal Placement

Ref.	Part No.	Part Description	Comments
1.	818-789C	DECAL CAUTION 28 PSI 110 TORQ	
2.	818-583C	DECAL LOCKOUT HUB - 1205NT	
3.	818-229C	DECAL AMBER REFLECTOR	2000 and below
4.	818-230C	DECAL RED REFLECTOR	2000 and below
5.	818-398C	DECAL CAUTION TIRES NOT A STEP	
6.	⊗ ① ② 838-229C ① 818-598C	DECAL GREAT PLAINS ON LOGO LRG DECAL GP LOGO - LARGE	2000+ 1998↔1999
7.	⊗ ① ② 838-177C ⊗ ① ② 838-178C ① 818-828C	DECAL 1300 DECAL 1300F DECAL 1300	2000+ 2000+ 1998↔1999
8.	818-826C	DECAL 1300 DRIVE TYPE	
9.	⊗ ① ② 838-160C ① 818-414C	DECAL 3 COLOR STRIPE 2.50 WIDE DECAL W/ 4 COLOR STRIPE	2000+ 1998↔1999
10.	⊗ ① ② 838-237C ① 818-295C	DECAL SEED LEVEL LH DECAL LETTER E	No longer available. Order part no. 838-237C.
11.	818-296C	DECAL LETTER F	No longer available. Order part no. 838-237C.
12.	818-827C	DECAL 1300 TRANS & DN PRESSURE	
13.	818-337C	DECAL WARNING 20 MPH TRANS SML	
14.	818-019C	DECAL WARNING NEG TONGUE WT	
15.	818-339C	DECAL WARNING HIGH PRESSUR SML	
16.	818-557C	DECAL DANGER CANNOT READ ENG	
17.	⊗ ① ② 838-161C ① 818-415C	DECAL LOGO&GP F/STRIPE 4 X 24 DECAL GP W/ LOGO AND STRIPE	2000+ 1998↔1999
18.	⊗ ① ② 838-410C ① 818-829C	DECAL 1300 SEED RATE DECAL 13' EW SEED RATE	2002↔2003 2001-
19.	818-055C	DECAL SLOW MOVING-GALV. BACKED	
20.	818-838C	DECAL FERT CHAIN ROUTE 13' EW	Fertilizer only
21.	818-837C	DECAL FERTILIZER RATE 13' EW	Fertilizer only
22.	818-207C	DECAL-CRSSDR SD RATE ADJ INST	Small seeds only
23.	818-245C	GRASS SEEDER SEED RATE	Small seeds only
24.	818-518C	DECAL MOVING CHAIN DANGER	
25.	838-169C	DECAL SCRIPT SOLID STAND LARGE	2000+
26.	838-265C	DECAL REFLECTOR AMBER 1 1/2x9	2001+
27.	838-266C	DECAL REFLECTOR RED 1 1/2 x 9	2001+
28.	838-267C	DECAL REFLECTOR DAYTIME 1 1/2 x 9	2001+
29.	838-412C	DECAL ROTATION ARROW CCW	S/N CC1391+
30.	838-467C	DECAL SMALL SEEDS DANGER	
31.	838-102C	DECAL DANGER FALLING HAZZARD	
32.	118-652D	MANUAL PAK MOUNT	
33.	802-005C	HHCS 1/4-20X1 GR5	
34.	803-014C	NUT HEX 3/8-16 PLT	
35.	803-293C	NUT HEX FLNG T-LOCK 1/4-20 PLT	
36.	804-013C	WASHER LOCK SPRING 3/8 PLT	
37.	806-004C	U-BOLT 3/8-16 X 2 X 2 3/4	
38.	817-042C	MINI END WHEEL PRESS WHEEL	
39.	817-516C	MANUAL PAK 1" W/ GASKET	
40.	838-482C	DECAL GP PLANTING COMPONENTS	
41.	175-157B	1300 SEEDRATE BOOK	2004+

Legend: ① = 1st revision; ② = 2nd revision; ③ = 3rd revision; ● = use up existing stock; ⊗ = not interchangeable; ⊗ ① ② = for example: revision 2 is not interchangeable w/revision 1